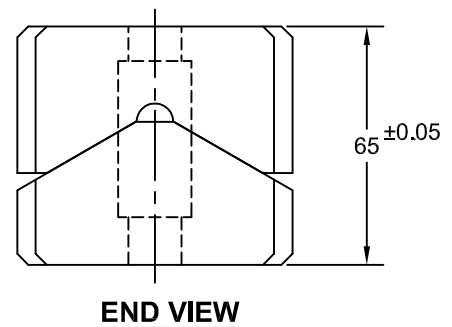
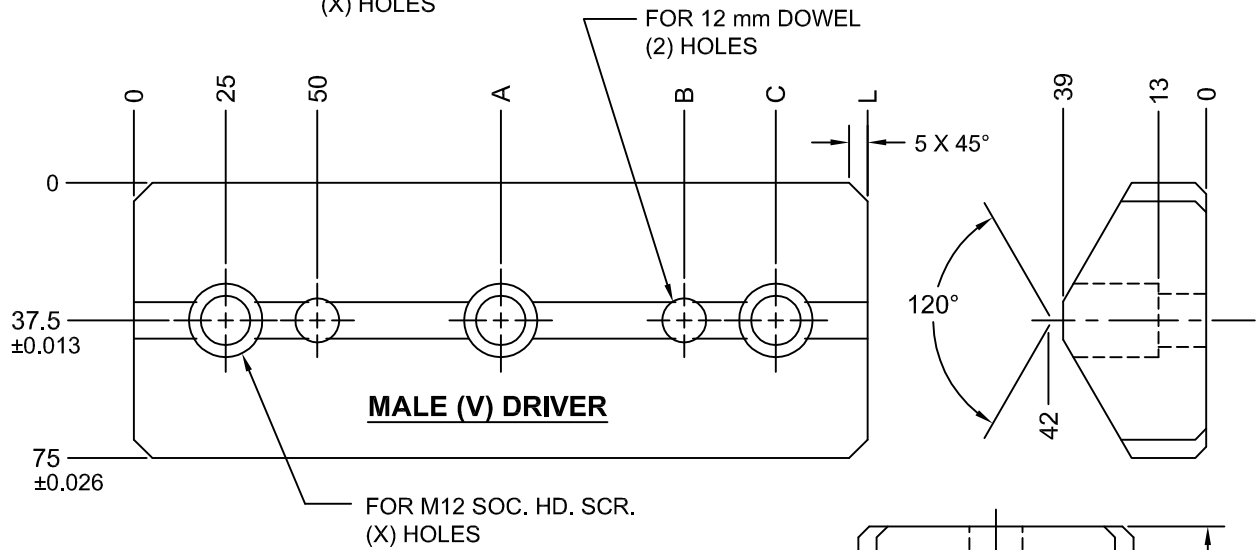
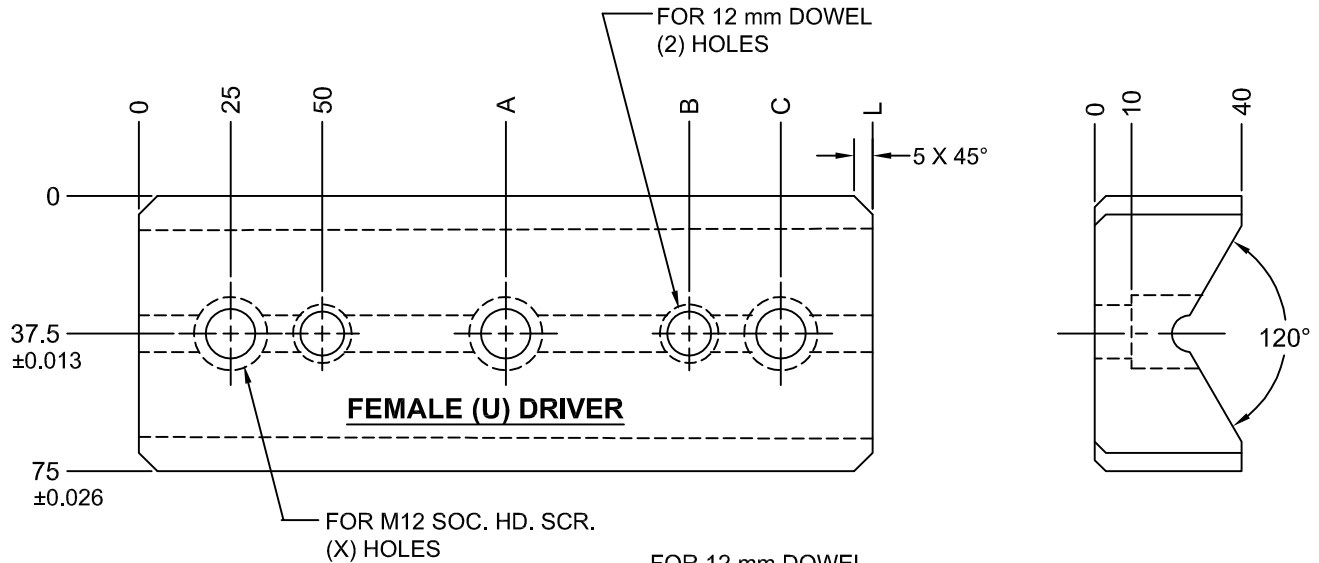


JOLICO J-B TOOL

PRINTED COPY IS UNCONTROLLED

U AND V DRIVERS 75 mm WIDE



FEMALE (U) DRIVER STEEL NO GRAPHITE PLUGS						(X)
JOLICO NO.	CC REF. NO.	L	A	B	C	HOLES
J-223360-F	19-010-8405	150	—	100	125	2
J-223361-F	19-010-8410	200	—	150	175	2
J-223365-F	19-010-8415	250	125	200	225	3
J-223366-F	19-010-8420	300	150	250	275	3

MALE (V) DRIVER BRONZE WITH GRAPHITE PLUGS						(X)
JOLICO NO.	CC REF. NO.	L	A	B	C	HOLES
J-223360-YGM	19-010-8455	150	—	100	125	2
J-223361-YGM	19-010-8460	200	—	150	175	2
J-223367-YGM	19-010-8465	250	125	200	225	3
J-223368-YGM	19-010-8470	300	150	250	275	3

TOLERANCE BETWEEN DOWEL HOLES ± 0.01

TOLERANCE BETWEEN SCREW HOLES ± 0.12