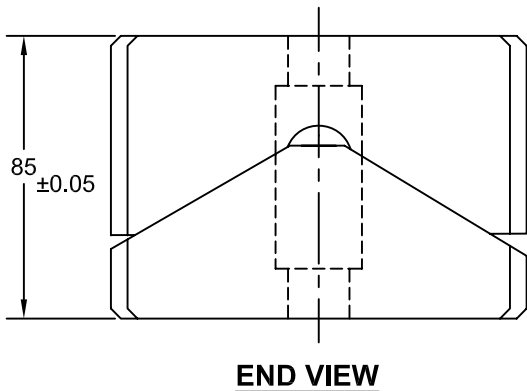
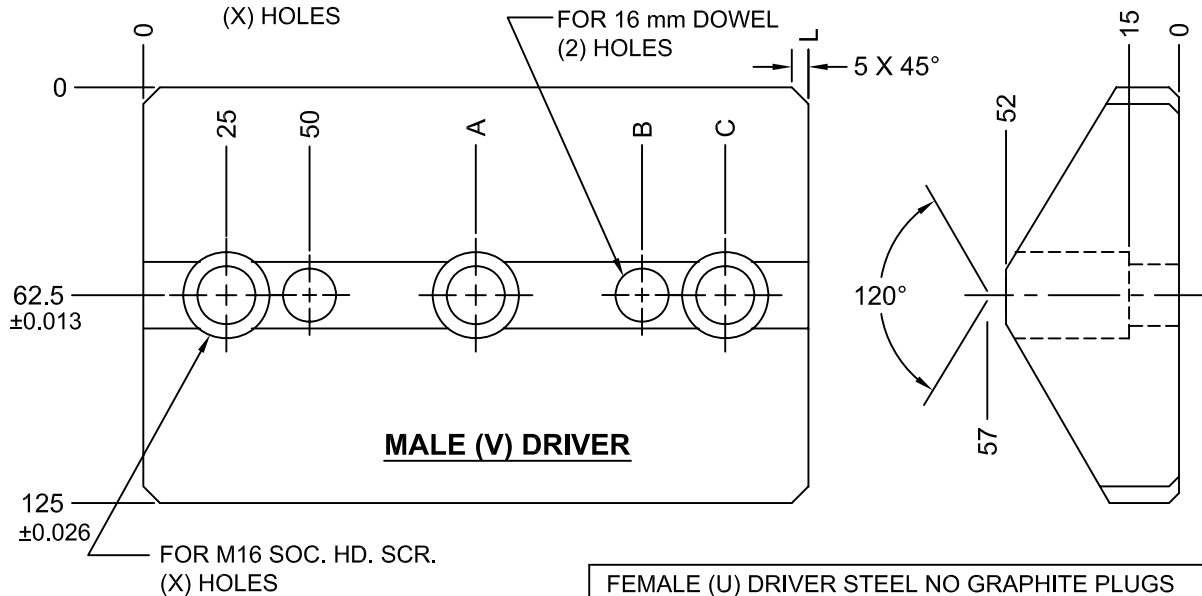
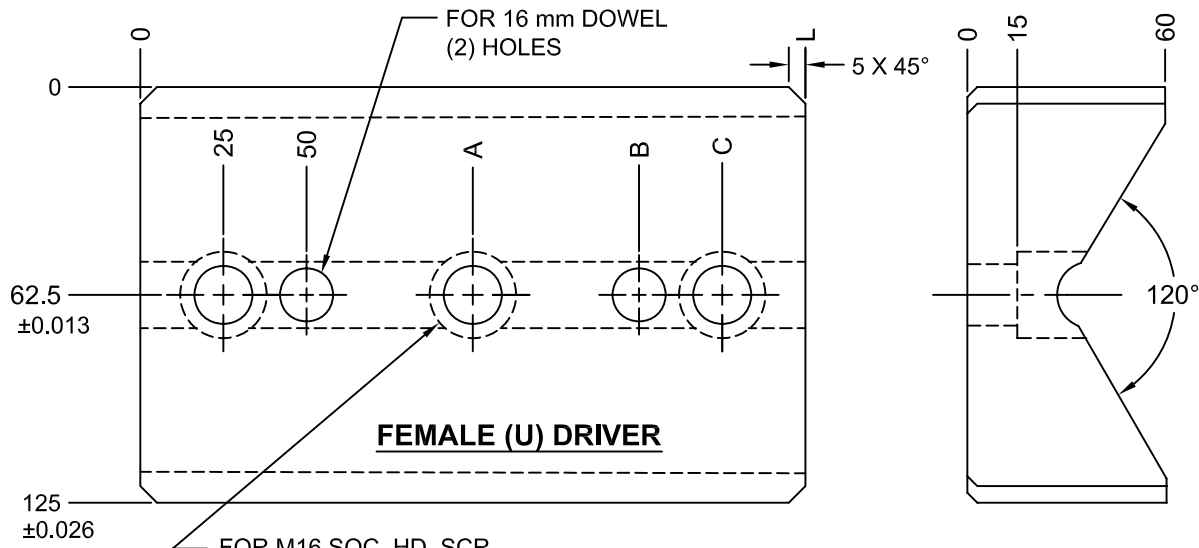


# JOLICO J-B TOOL

PRINTED COPY IS UNCONTROLLED

## U AND V DRIVER 125 mm WIDE



FEMALE (U) DRIVER STEEL NO GRAPHITE PLUGS						(X)
JOLICO NO.	CC REF. NO.	L	A	B	C	HOLES
J-223370-F	19-010-8430	150	—	100	125	2
J-223371-F	19-010-8435	200	—	150	175	2
J-223374-F	19-010-8440	250	125	200	225	3
J-223375-F	19-010-8445	300	150	250	275	3

MALE (V) DRIVER BRONZE WITH GRAPHITE PLUGS						(X)
JOLICO NO.	CC REF. NO.	L	A	B	C	HOLES
J-223370-YGM	19-010-8480	150	—	100	125	2
J-223371-YGM	19-010-8485	200	—	150	175	2
J-223376-YGM	19-010-8490	250	125	200	225	3
J-223377-YGM	19-010-8495	300	150	250	275	3

TOLERANCE BETWEEN DOWEL HOLES ±0.01

TOLERANCE BETWEEN SCREW HOLES ±0.12