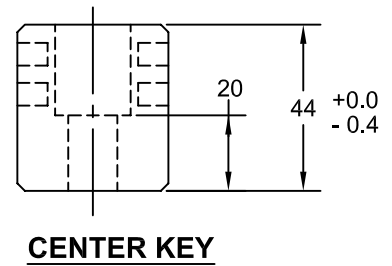
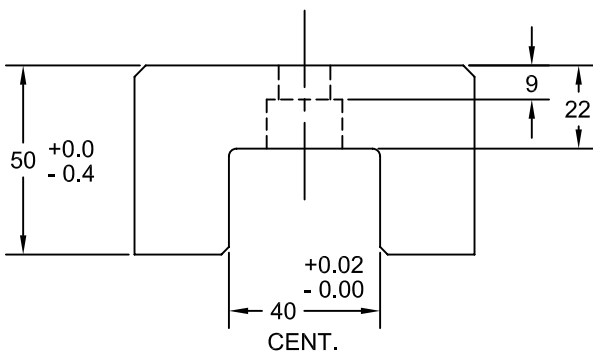
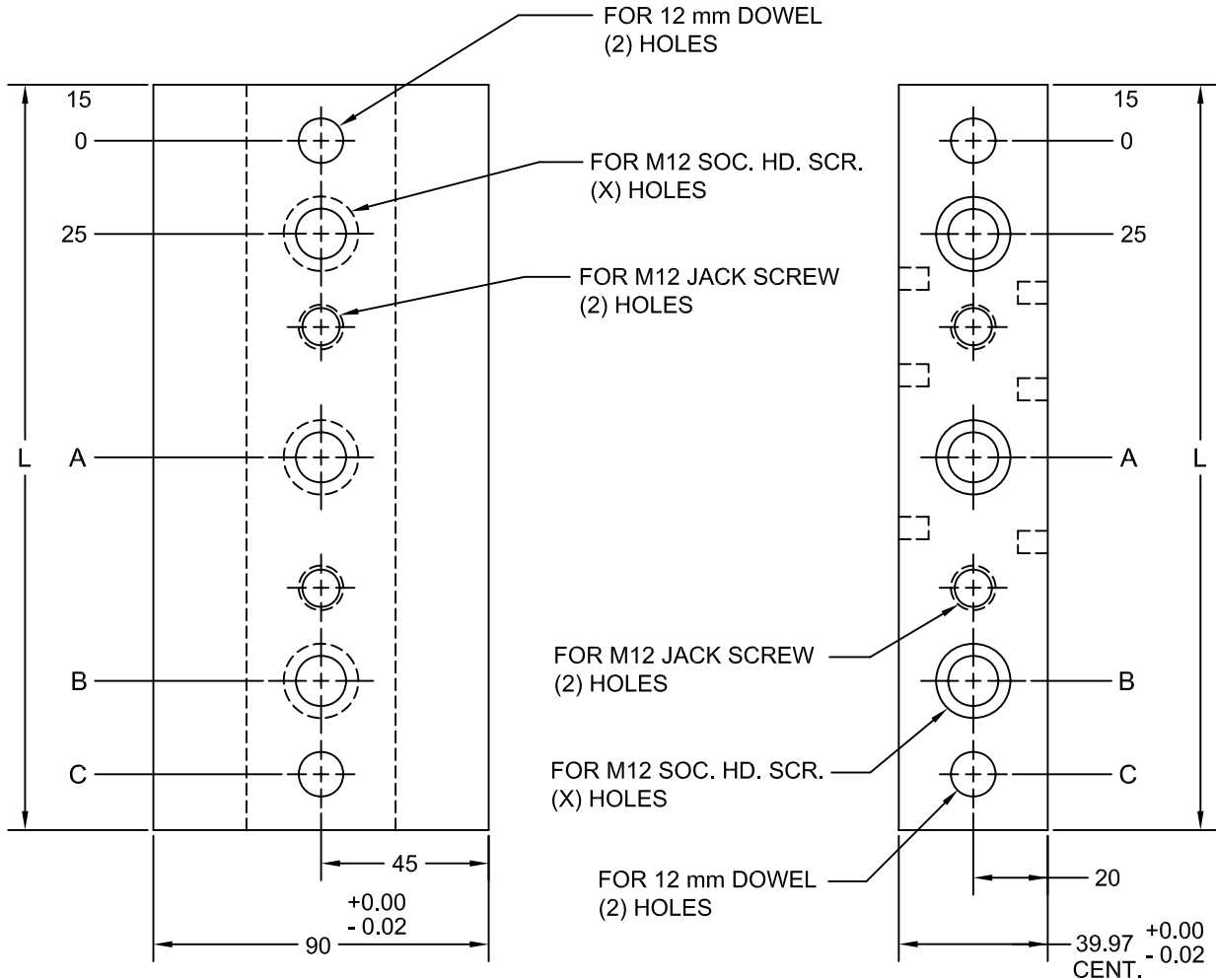


# JOLICO J-B TOOL

PRINTED COPY IS UNCONTROLLED

## CENTER KEY GUIDE AND CENTER KEY



TOLERANCE BETWEEN SCREW HOLES  $\pm 0.25$   
 TOLERANCE BETWEEN DOWEL HOLES  $\pm 0.10$

### CENTER KEY GUIDE

JOLICO NUMBER	CHRYSLER CC NUMBER	NAME	L	X	A	B	C
J-118250	19-010-9008	GUIDE	200	2	—	145	170
J-118251	19-010-9012	GUIDE	300	3	135	245	270
J-118240	19-010-9108	KEY	200	2	—	145	170
J-118241	19-010-9112	KEY	300	3	135	245	270