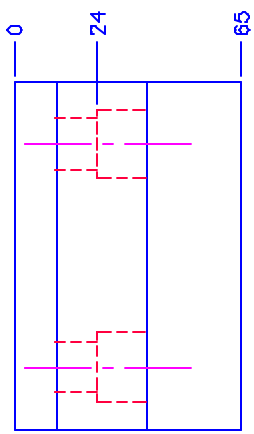
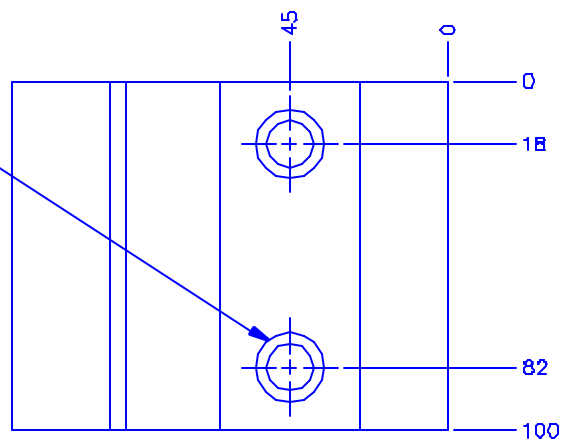


PRINTED COPY IS UNCONTROLLED

# POSITIVE RETURN DRIVER PLATES (NON-LUBED STEEL)

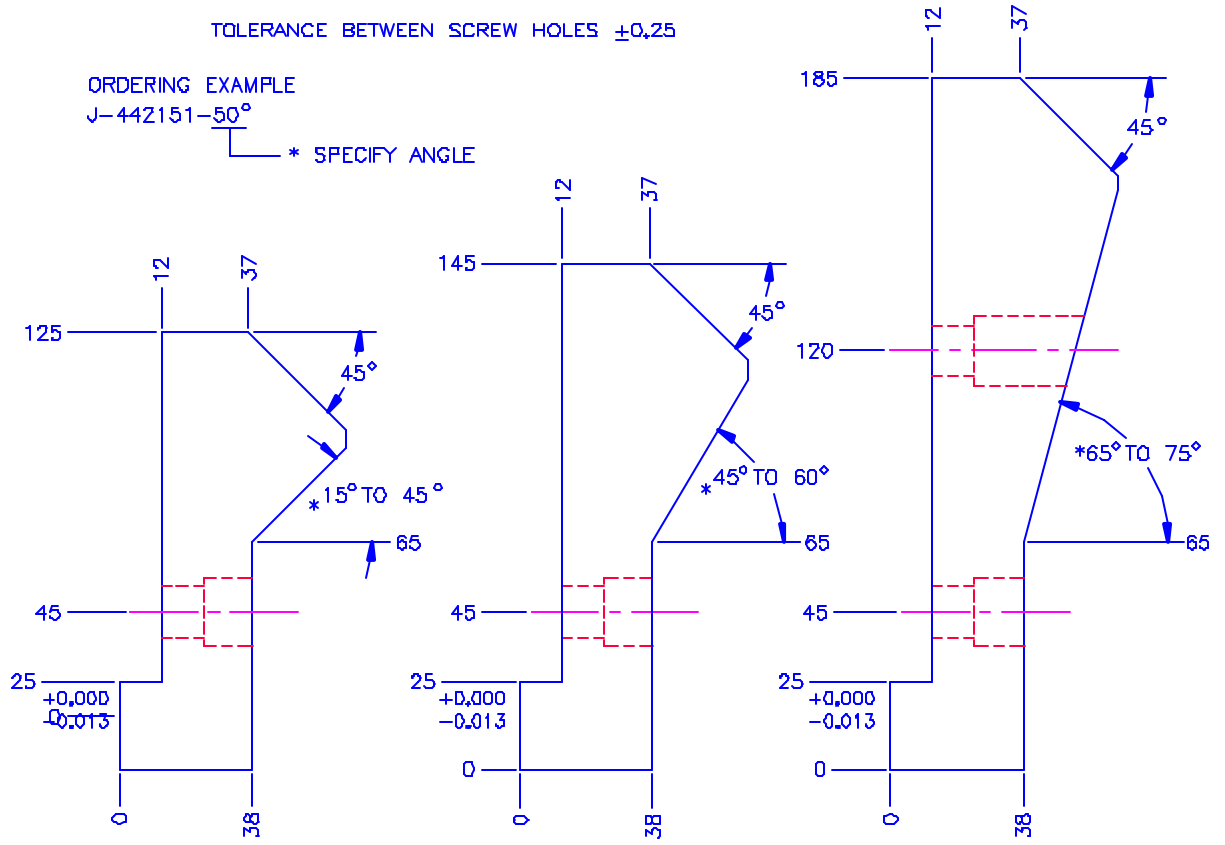


FOR M12 SOC. HD. SCR.  
J-442150 & J-442151 (2) HOLES  
J-442152 (4) HOLES



TOLERANCE BETWEEN SCREW HOLES  $\pm 0,25$

ORDERING EXAMPLE  
J-442151-50°  
\* SPECIFY ANGLE



JOLICO NO.	J-442150-__°	ANGLE
CHRYSLER NUMBER	19-010-0115	15
	19-010-0120	20
	19-010-0125	25
	19-010-0130	30
	19-010-0135	35
	19-010-0140	40
	19-010-0145	45

JOLICO NO.	J-442151-__°	ANGLE
CHRYSLER NUMBER	19-010-0245	45
	19-010-0250	50
	19-010-0255	55
	19-010-0260	60

JOLICO NO.	J-442152-__°	ANGLE
CHRYSLER NUMBER	19-010-0365	65
	19-010-0370	70
	19-010-0375	75