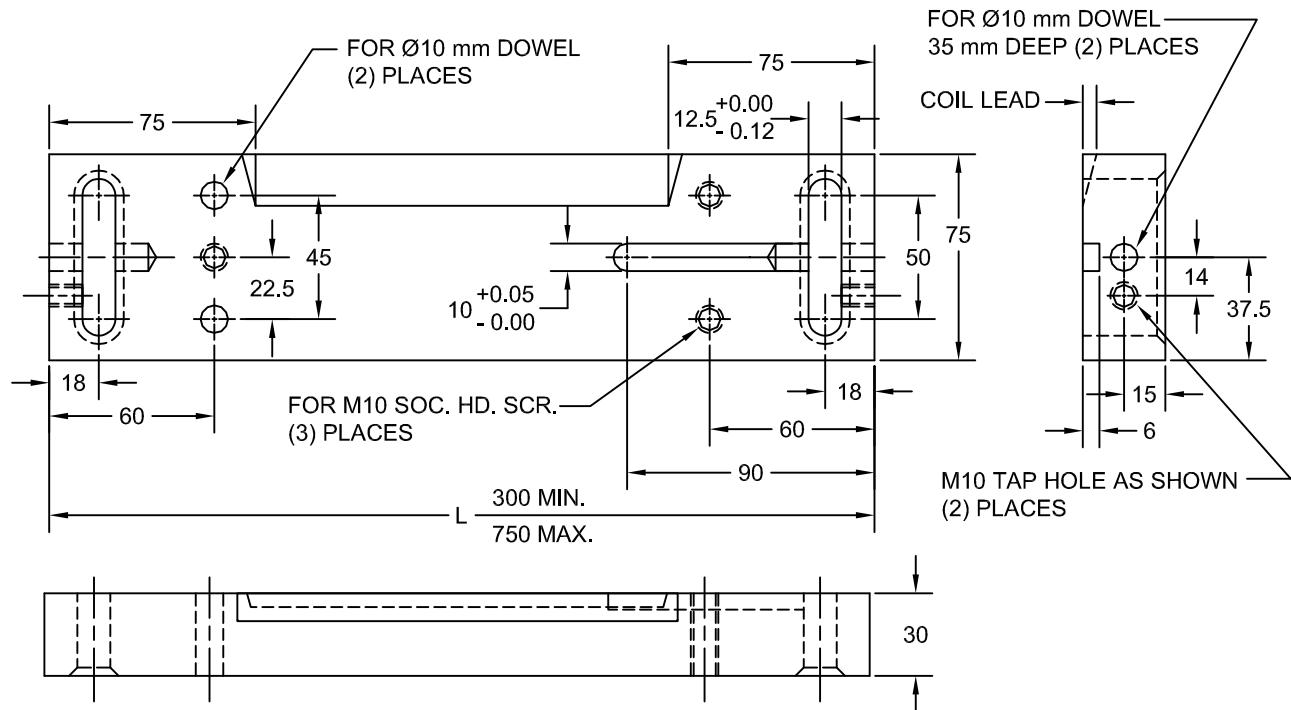


JOLICO J-B TOOL

PRINTED COPY IS UNCONTROLLED

COIL LIFTER FOR SINGLE UNIT



JOLICO NUMBER	CHRYSLER CC NUMBER	L
J-550610-300	19-235-4300	300
J-550610-310	19-235-4310	310
J-550610-320	19-235-4320	320
J-550610-330	19-235-4330	330
J-550610-340	19-235-4340	340
J-550610-350	19-235-4350	350
J-550610-360	19-235-4360	360
J-550610-370	19-235-4370	370
J-550610-380	19-235-4380	380
J-550610-390	19-235-4390	390
J-550610-400	19-235-4400	400
J-550610-410	19-235-4410	410
J-550610-420	19-235-4420	420
J-550610-430	19-235-4430	430
J-550610-440	19-235-4440	440
J-550610-450	19-235-4450	450
J-550610-460	19-235-4460	460
J-550610-470	19-235-4470	470
J-550610-480	19-235-4480	480
J-550610-490	19-235-4490	490
J-550610-500	19-235-4500	500
J-550610-510	19-235-4510	510
J-550610-520	19-235-4520	520

JOLICO NUMBER	CHRYSLER CC NUMBER	L
J-550610-530	19-235-4530	530
J-550610-540	19-235-4540	540
J-550610-550	19-235-4550	550
J-550610-560	19-235-4560	560
J-550610-570	19-235-4570	570
J-550610-580	19-235-4580	580
J-550610-590	19-235-4590	590
J-550610-600	19-235-4600	600
J-550610-610	19-235-4610	610
J-550610-620	19-235-4620	620
J-550610-630	19-235-4630	630
J-550610-640	19-235-4640	640
J-550610-650	19-235-4650	650
J-550610-660	19-235-4660	660
J-550610-670	19-235-4670	670
J-550610-680	19-235-4680	680
J-550610-690	19-235-4690	690
J-550610-700	19-235-4700	700
J-550610-710	19-235-4710	710
J-550610-720	19-235-4720	720
J-550610-730	19-235-4730	730
J-550610-740	19-235-4740	740
J-550610-750	19-235-4750	750