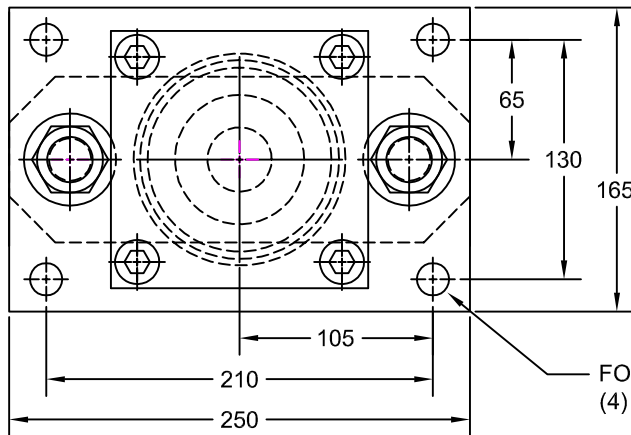


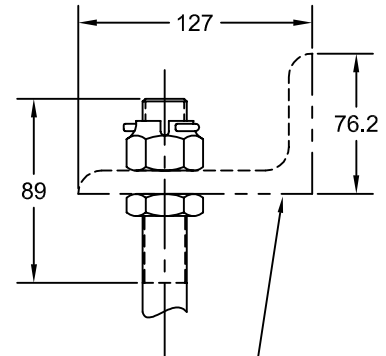
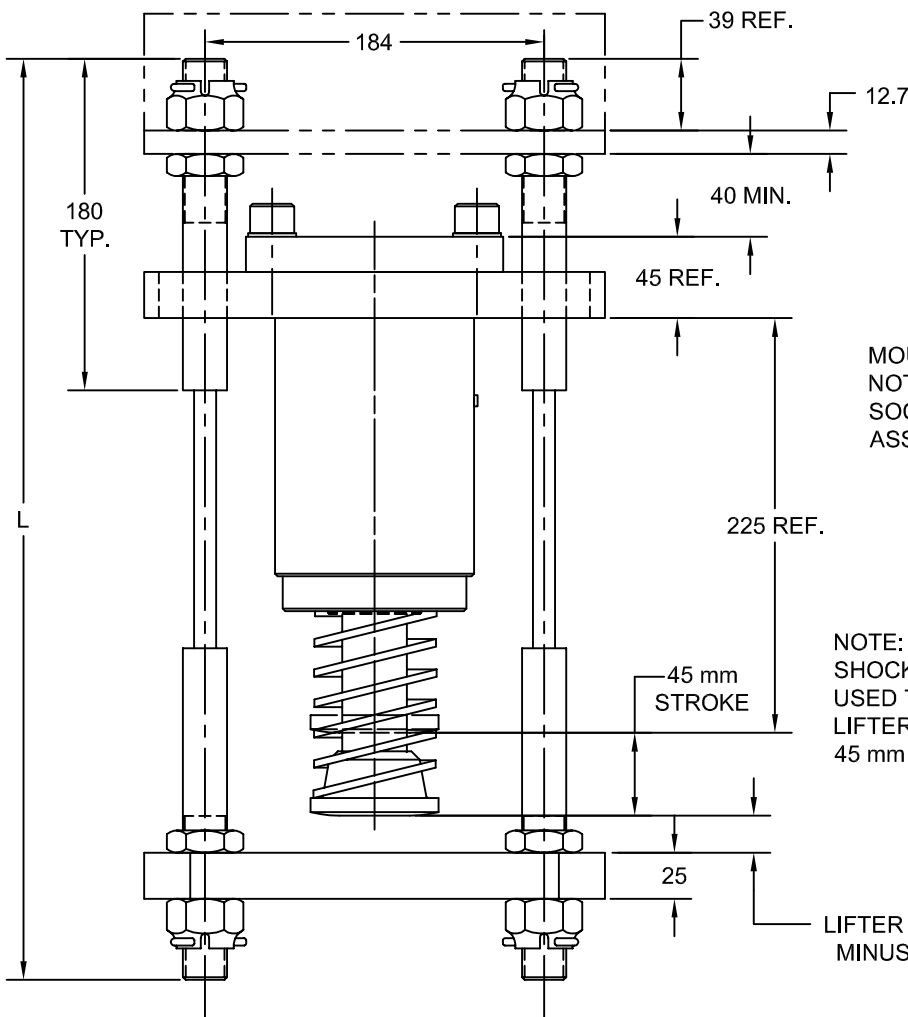
# JOLICO J-B TOOL

PRINTED COPY IS UNCONTROLLED

## SHOCK ABSORBER ASSEMBLY



JOLICO NUMBER	CHRYSLER CC NUMBER	L
J - 558133	19-010-0050	500
J - 558132	19-010-0051	559



MOUNTING BRACKET NOT SUPPLIED WITH SHOCK ABSORBER ASSEMBLY.

NOTE:  
SHOCK ABSORBER IS USED TO DECELERATE LIFTER DURING THE LAST 45 mm OF UP STROKE.

LIFTER RAIL SHOWN AT BOTTOM OF PRESS STROKE