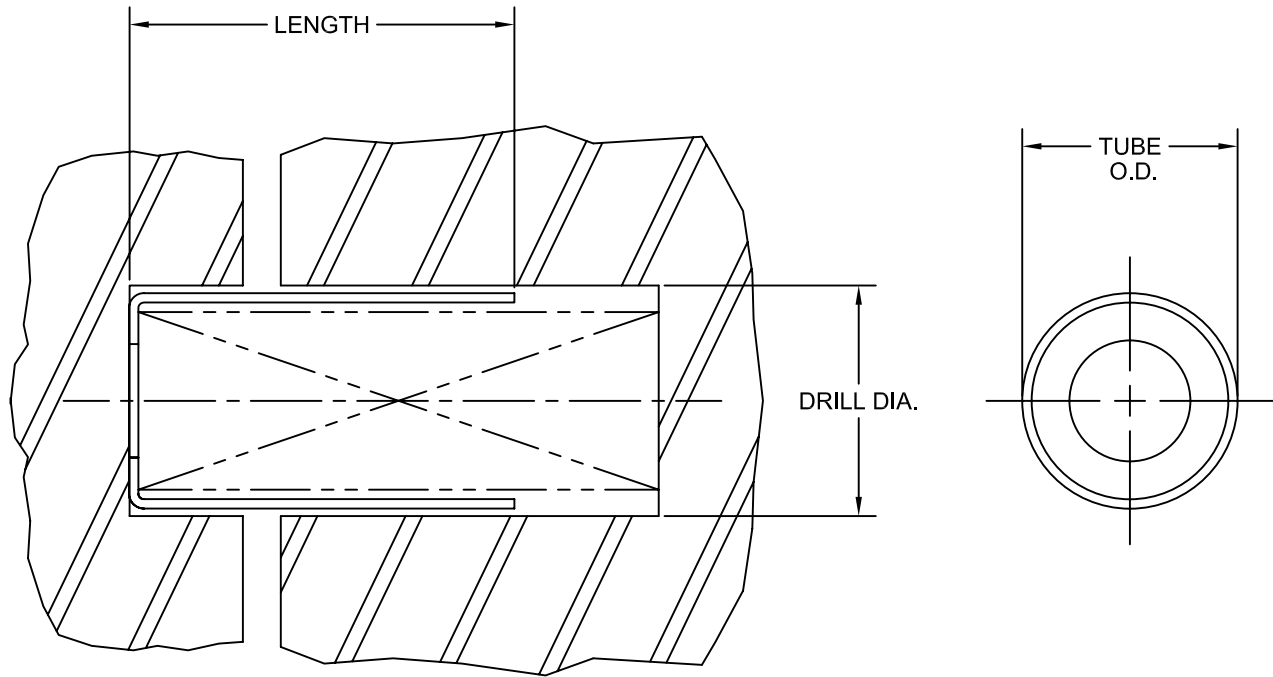


JOLICO J-B TOOL

PRINTED COPY IS UNCONTROLLED

SPRING CANS AND GARDS FOR Ø25 AND Ø32 SPRINGS



FOR 25 DIAMETER SPRING		
NON. SPRING HOLE DIA.	ROCOMMENDED DRILL DIA.	TUBE O.D. APPROX.
25	30	28.0
JOLICO NUMBER	CHRYSLER CC NUMBER	CAN LENGTH
J-10102	19-200-0810	32
J-10103	19-200-0812	38
J-10104	19-200-0814	44
J-10105	19-200-0816	51
J-10107	19-200-0820	64
J-10109	19-200-0824	76
J-10111	19-200-0828	89
J-10113	19-200-0832	102
J-10117	19-200-0840	127
J-10119	19-200-0848	152

FOR 32 DIAMETER SPRING		
NON. SPRING HOLE DIA.	ROCOMMENDED DRILL DIA.	TUBE O.D. APPROX.
32	36	34.3
JOLICO NUMBER	CHRYSLER CC NUMBER	CAN LENGTH
J-10203	19-200-1012	38
J-10204	19-200-1014	44
J-10205	19-200-1016	51
J-10207	19-200-1020	64
J-10209	19-200-1024	76
J-10211	19-200-1028	89
J-10213	19-200-1032	102
J-10217	19-200-1040	127
J-10219	19-200-1048	152