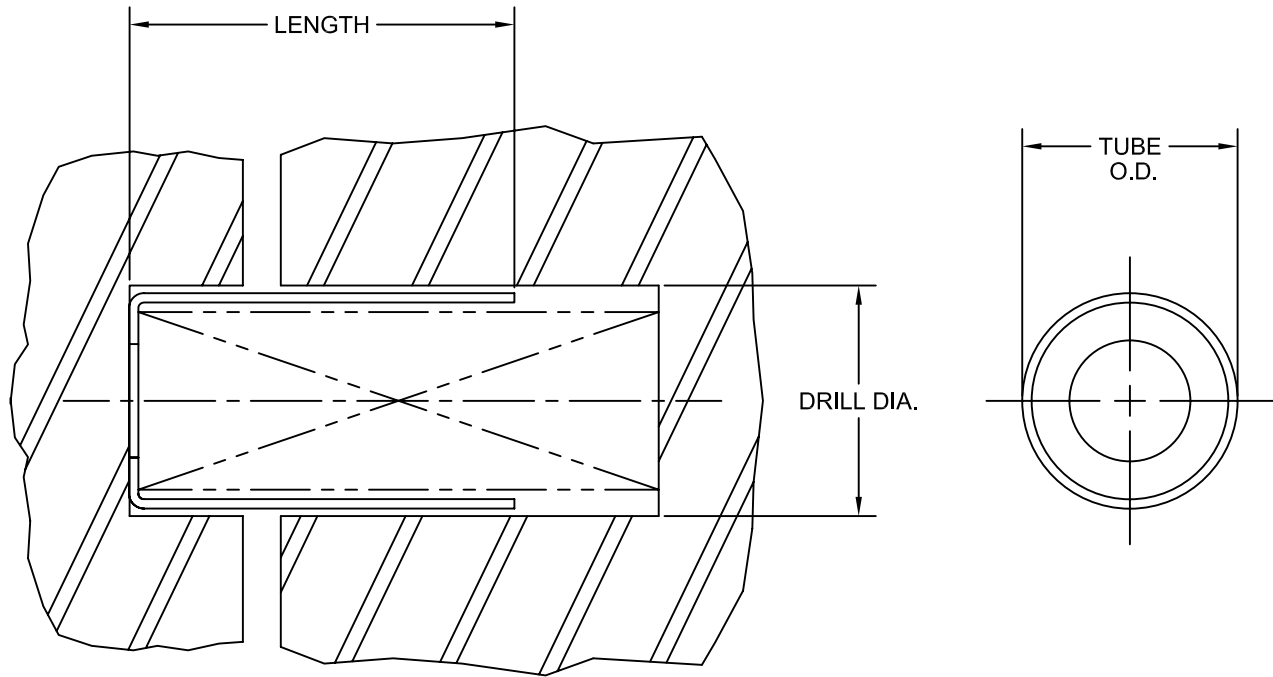


JOLICO J-B TOOL

PRINTED COPY IS UNCONTROLLED

SPRING CANS AND GARDS FOR Ø40 AND Ø50 SPRINGS



FOR 40 DIAMETER SPRING		
NON. SPRING HOLE DIA.	ROCOMMENDED DRILL DIA.	TUBE O.D. APPROX.
40	43	40.6
JOLICO NUMBER	CHRYSLER CC NUMBER	CAN LENGTH
J-10304	19-200-1214	44
J-10305	19-200-1216	51
J-10307	19-200-1220	64
J-10309	19-200-1224	76
J-10311	19-200-1228	89
J-10313	19-200-1232	102
J-10317	19-200-1240	127
J-10319	19-200-1248	152
J-10321	19-200-1256	178

FOR 50 DIAMETER SPRING		
NON. SPRING HOLE DIA.	ROCOMMENDED DRILL DIA.	TUBE O.D. APPROX.
50	56	53.3
JOLICO NUMBER	CHRYSLER CC NUMBER	CAN LENGTH
J-10405	19-200-1616	51
J-10407	19-200-1620	64
J-10409	19-200-1624	76
J-10411	19-200-1628	89
J-10413	19-200-1632	102
J-10417	19-200-1640	127
J-10419	19-200-1648	152
J-10422	19-200-1664	203
J-10423	19-200-1672	229