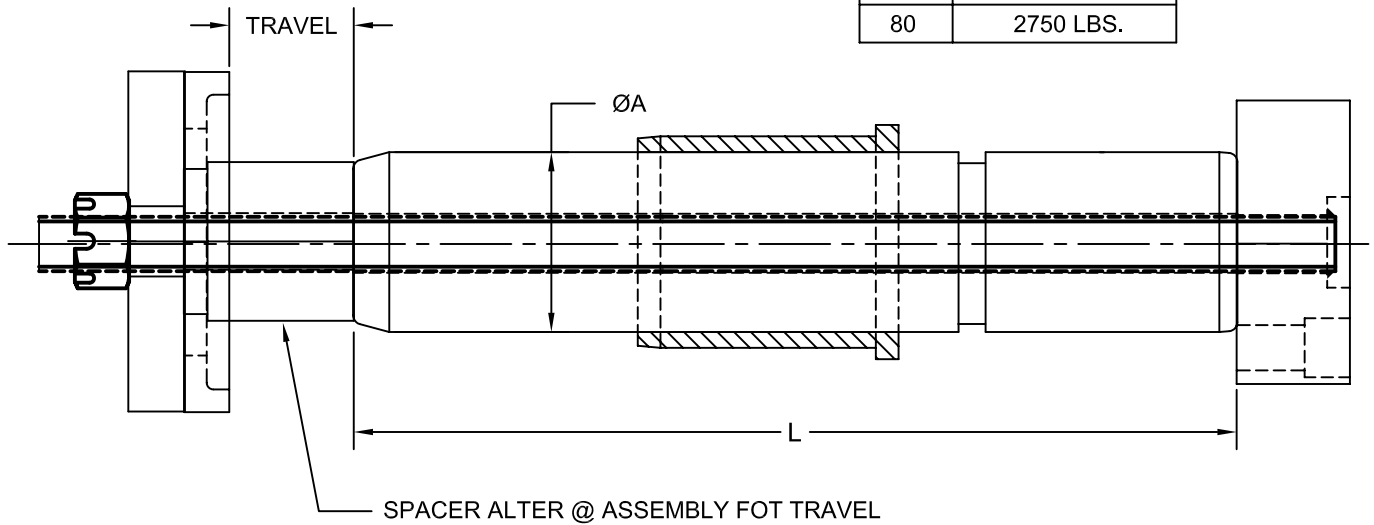


# JOLICO J-B TOOL

PRINTED COPY IS UNCONTROLLED

## GUIDE PIN RETAINER BOLT

A DIA.	PERMISSIBLE LOAD RATE PER ASS'Y
50	990 LBS.
63	1650 LBS.
80	2750 LBS.



**\* THIS ASSEMBLY IS SUPPLIED WITH THE BUSHING**

ØA DIM.	JOLICO NUMBER	CHRYSLER CC NUMBER	L DIM.	TRAVEL RANGE	THREAD SIZE X LENGHT
Ø50	J-118000	19-010-6505	180	20 - 50	M20 X 350
	J-118001	19-010-6507	200	40 - 70	M20 X 370
	J-118002	19-010-6509	225	65 - 95	M20 X 395
	J-118003	19-010-6512	250	90 - 120	M20 X 420
Ø63	J-118100	19-010-6605	200	20 - 50	M24 X 380
	J-118101	19-010-6607	225	40 - 75	M24 X 405
	J-118102	19-010-6610	250	70 - 100	M24 X 430
	J-118103	19-010-6613	280	100 - 130	M24 X 455
Ø80	J-118201	19-010-6707	250	35 - 75	M30 X 440
	J-118202	19-010-6710	280	65 - 105	M30 X 475
	J-118203	19-010-6714	315	100 - 140	M30 X 500
	J-118204	19-010-6718	355	140 - 180	M30 X 540