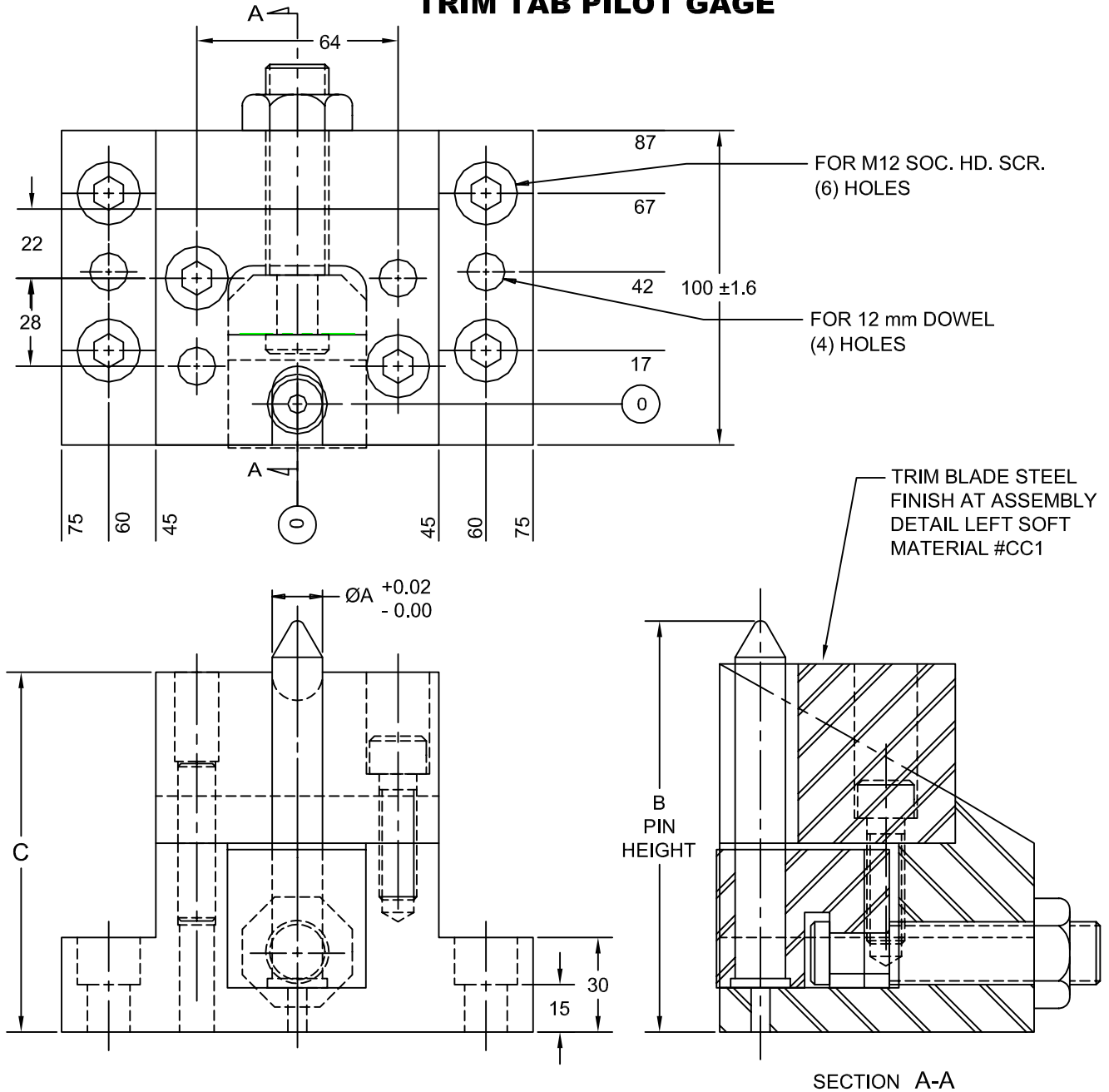


# JOLICO J-B TOOL

PRINTED COPY IS UNCONTROLLED

## TRIM TAB PILOT GAGE



| JOLICO NUMBER | CHRYSLER CC NUMBER | $\varnothing A$ PIN | PILOT | "B" PIN HEIGHT | "C" |
|---------------|--------------------|---------------------|-------|----------------|-----|
| J - 441011    | 19-235-0014        | 12.75               | 13    | 130            | 117 |
| J - 441040    | 19-235-1814        | 12.75               | 13    | 150            | 137 |
| J - 441043    | 19-235-1914        | 12.75               | 13    | 170            | 157 |
| J - 441046    | 19-235-2014        | 12.75               | 13    | 190            | 177 |
| J - 441012    | 19-235-0015        | 15.75               | 16    | 130            | 117 |
| J - 441041    | 19-235-1815        | 15.75               | 16    | 150            | 137 |
| J - 441044    | 19-235-1915        | 15.75               | 16    | 170            | 157 |
| J - 441047    | 19-235-2015        | 15.75               | 16    | 190            | 177 |

| JOLICO NUMBER | CHRYSLER CC NUMBER | $\varnothing A$ PIN | PILOT | "B" PIN HEIGHT | "C" |
|---------------|--------------------|---------------------|-------|----------------|-----|
| J - 441013    | 19-235-0016        | 19.75               | 20    | 130            | 117 |
| J - 441042    | 19-235-1816        | 19.75               | 20    | 150            | 137 |
| J - 441045    | 19-235-1916        | 19.75               | 20    | 170            | 157 |
| J - 441048    | 19-235-2016        | 19.75               | 20    | 190            | 177 |