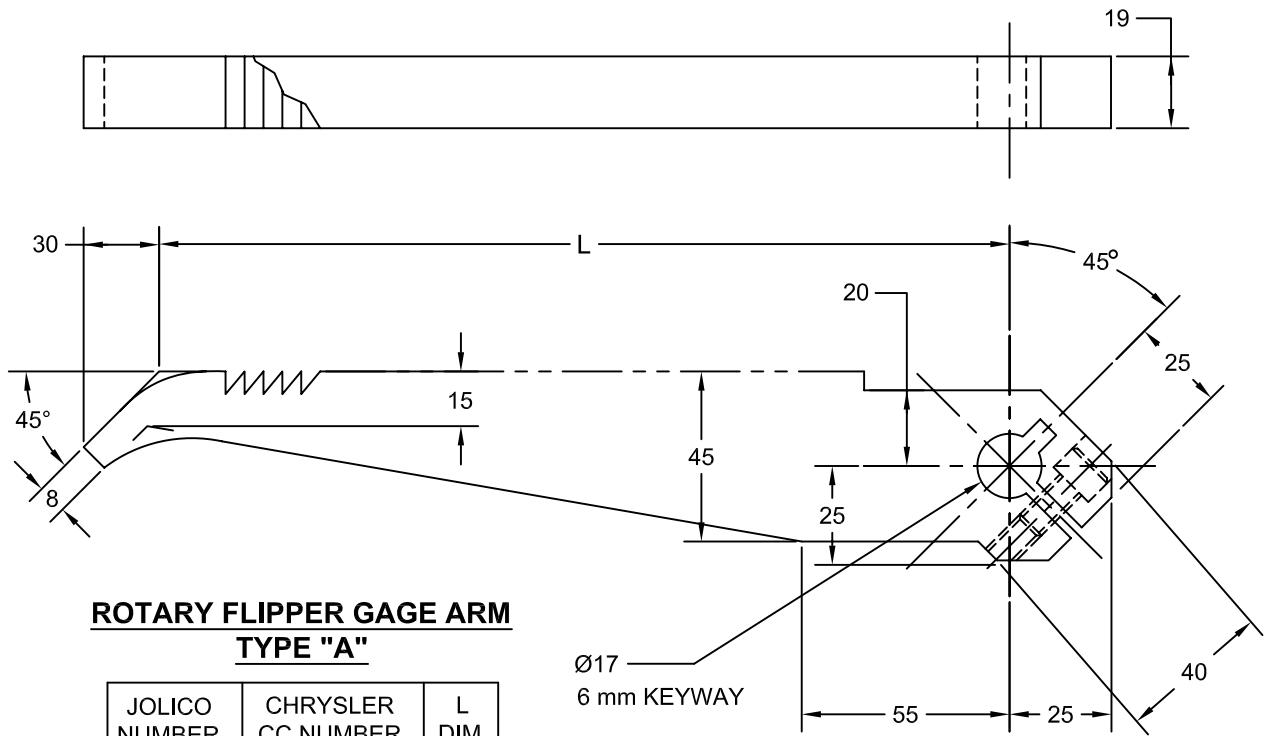


JOLICO J-B TOOL

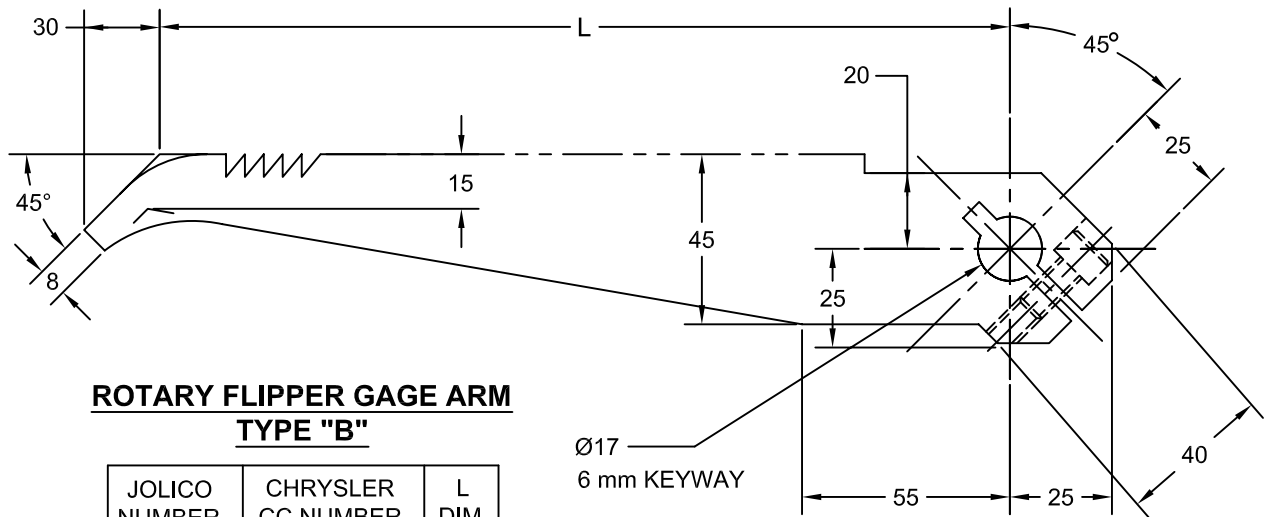
PRINTED COPY IS UNCONTROLLED

ROTARY FLIPPER GAGE ARM



**ROTARY FLIPPER GAGE ARM
TYPE "A"**

JOLICO NUMBER	CHRYSLER CC NUMBER	L DIM.
J-441287	19-010-1122	225
J-441288	19-010-1131	315
J-441289	19-010-1136	365
J-441290	19-010-1141	415



**ROTARY FLIPPER GAGE ARM
TYPE "B"**

JOLICO NUMBER	CHRYSLER CC NUMBER	L DIM.
J-441291	19-010-1222	225
J-441292	19-010-1231	315
J-441293	19-010-1236	365
J-441294	19-010-1241	415