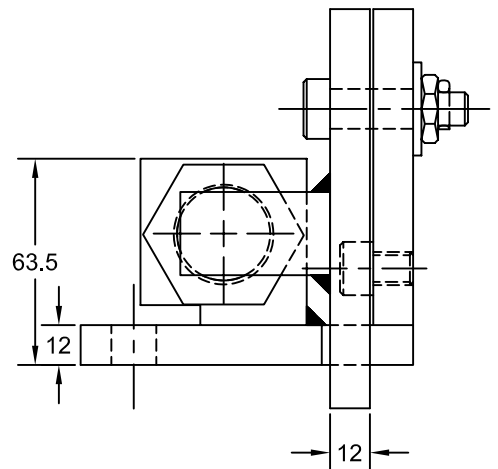
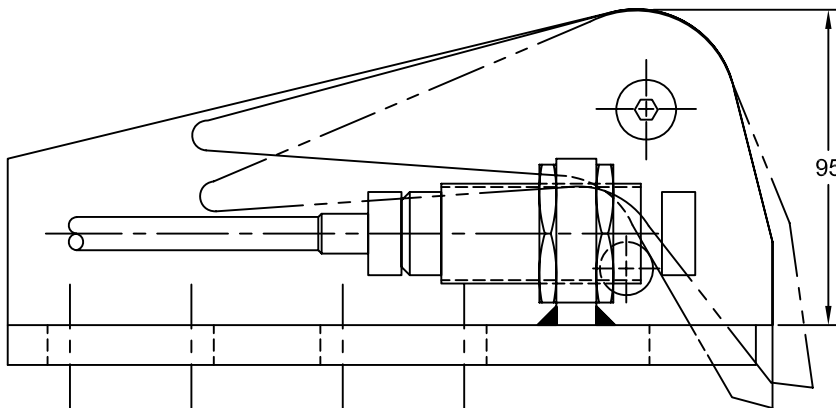
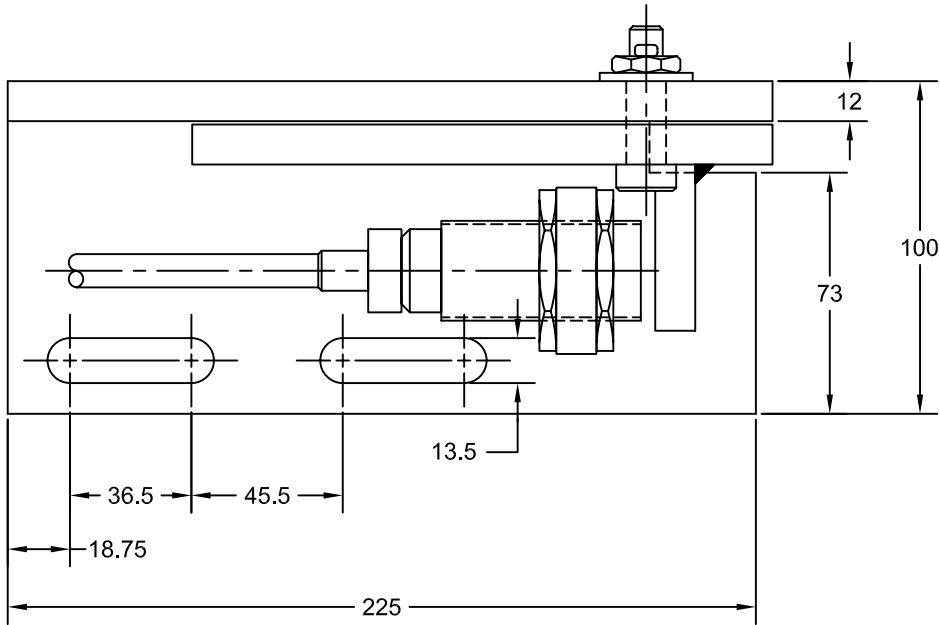


JOLICO J-B TOOL

PRINTED COPY IS
UNCONTROLLED

RAMP GAGE



JOLICO NUMBER	CHRYSLER CC NUMBER
J-777850	19-010-1450

RAMP GAGE INCLUDES

- (1) PROXIMITY SENSOR SWITCH
- (1) TWENTY FEET OF SWITCH CABLE
- (2) 13 mm I.D. FLAT WASHER
- (2) M12 SOC. HD. SCR.