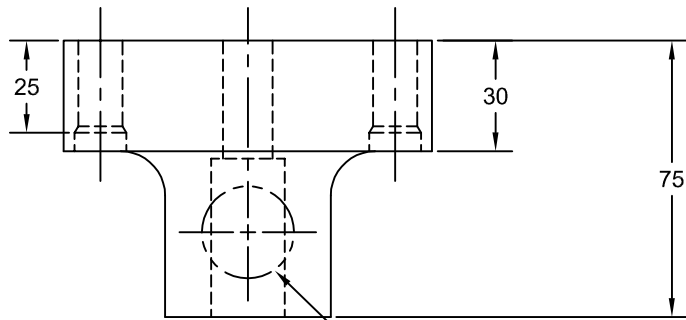


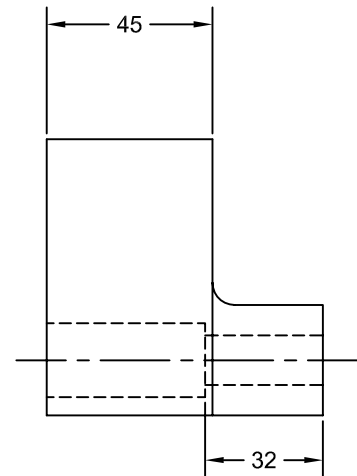
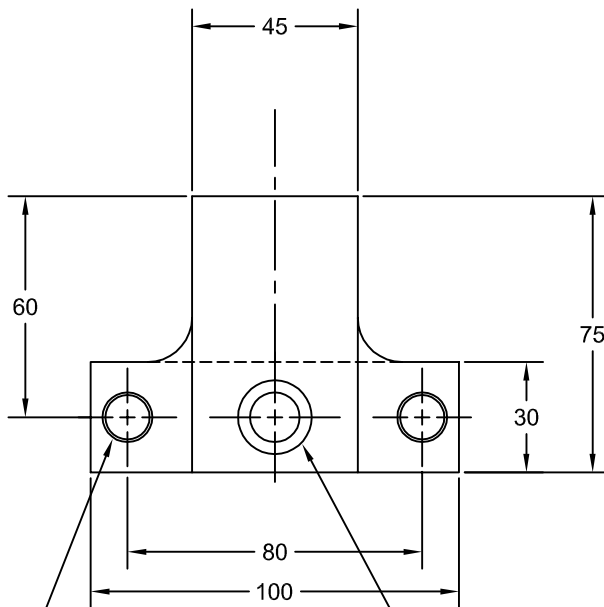
JOLICO J-B TOOL

PRINTED COPY IS
UNCONTROLLED

TOOLING HOLE SETUP BLOCK



DIE CONSTRUCTION TO
MACHINE $\varnothing 25$ X 28 DEEP
TOOLING HOLE.



FOR M12 SOC. HD. CAP SCR.

FOR $\varnothing 12$ mm DOWEL
(2) PLACES

JOLICO NUMBER	CHRYSLER CC NUMBER
J - 999875	42-374-0036