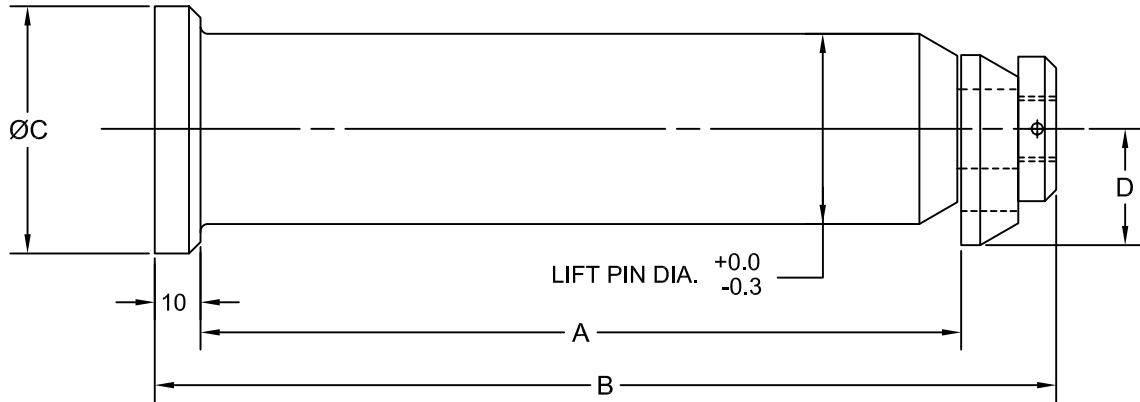


JOLICO J-B TOOL

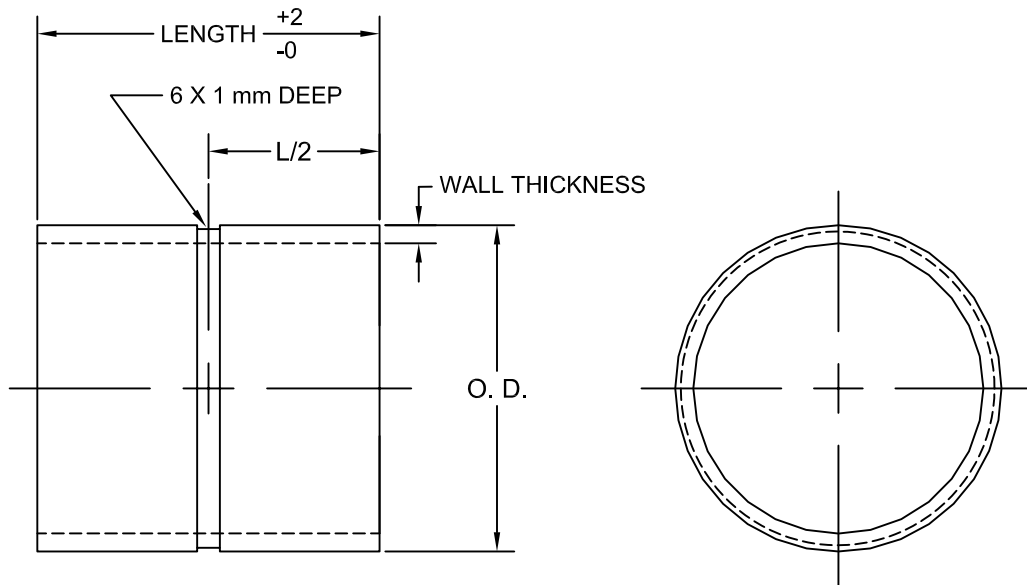
PRINTED COPY IS UNCONTROLLED

DIE LIFT PIN WITH SPRING RETAINER RING AND CAST LINER



DIE LIFT PIN WITH SPRING RETAINER RING

JOLICO NUMBER	CHRYSLER CC NUMBER	LIFT PIN DIA.	A	B	C	D	MAX. DIE WGHT IN U. S. TONS
J-881420	19-255-0200	50	190	230	63	31	20 TONS
J-881421	19-255-0252	63	280	320	76	37.5	40 TONS
J-881422	19-255-0320	80	320	370	89	46	80 TONS



CAST LINER

JOLICO NUMBER	CHRYSLER CC NUMBER	LIFT PIN DIA.	LENGTH	TUBING SIZE IN INCHES	
				OUTSIDE DIA.	WALL THICKNESS
J-881450	19-232-0200	50	50	2 - 3/8	.156
J-881454	19-232-0201	50	65	2 - 3/8	.156
J-881451	19-232-0252	63	80	2 - 7/8	.156
J-881455	19-232-0253	63	120	2 - 7/8	.156
J-881452	19-232-0320	80	100	3 - 5/8	.188
J-881456	19-232-0321	80	130	3 - 5/8	.188