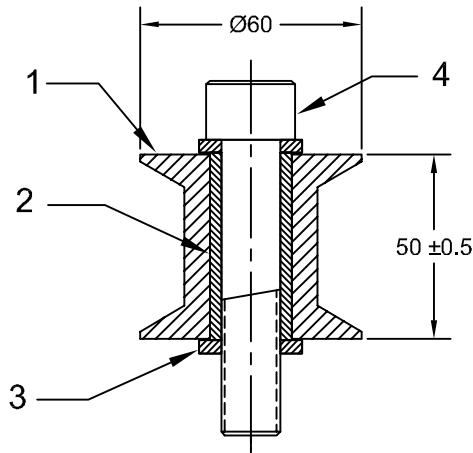


JOLICO J-B TOOL

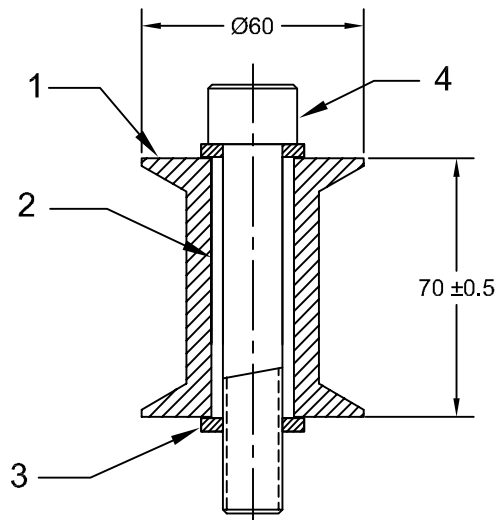
PRINTED COPY IS UNCONTROLLED

ADJUSTABLE STOCK GUIDE ROLLER ASSEMBLY FOR STEEL OR ALUMINUM COILS



USED FOR STEEL COIL

JOLICO NUMBER		FORD PART NUMBER	
J-886118-7-RK		WDX03-80-3006001-A	
DET.	AMT.	PART NUMBER	DESCRIPTION
1	1	J-886118-7A	GUIDE ROLLER
2	1	J-886118-7B	CAST BRONZE BUSHING
3	2	J-886118-7C	STEEL FLAT WASHER
4	1	STD. DETAIL	M16 X 80 LG. SOC. HEAD CAP SCREW



USED FOR ALUMINUM COIL

JOLICO NUMBER		FORD PART NUMBER	
J-886117-7-RK		WDX03-80-4406001-A	
DET.	AMT.	PART NUMBER	DESCRIPTION
1	1	J-886117-7A	GUIDE ROLLER
2	1	J-886117-7B	CAST BRONZE BUSHING
3	2	J-886118-7C	STEEL FLAT WASHER
4	1	STD. DETAIL	M16 X 100 LG. SOC. HEAD CAP SCREW