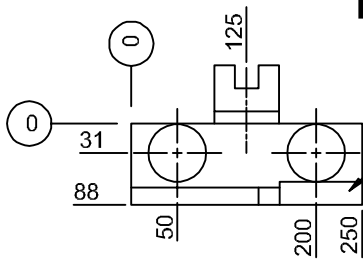


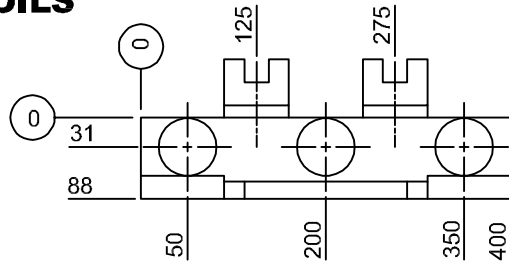
# JOLICO J-B TOOL

PRINTED COPY IS UNCONTROLLED

## ADJUSTABLE COIL FEED GUIDE ASSEMBLY FOR ALUMINUM COILS

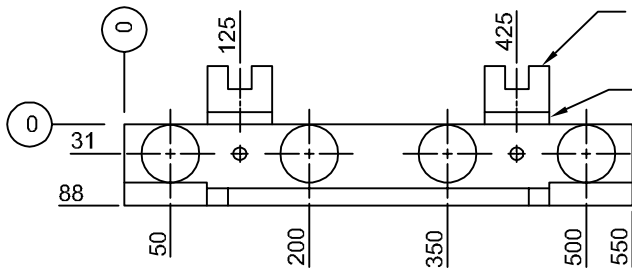


NOTE:  
LEAD IS ON ONE SIDE ONLY FOR THIS ITEM.  
ORDER OPPOSITE.



JOLICO NUMBER	FORD PART NUMBER	
J - 331018	WDX3 - 80 - 400250	SHOWN
J - 331019	WDX3 - 80 - 401250	OPPOSITE
● J - 331018 - A	WDX3 - 80 - 400250 - A	SHOWN
● J - 331019 - A	WDX3 - 80 - 401250 - A	OPPOSITE

JOLICO NUMBER	FORD PART NUMBER
J - 331020	WDX3 - 80 - 400400
● J - 331020 - A	WDX3 - 80 - 400400 - A

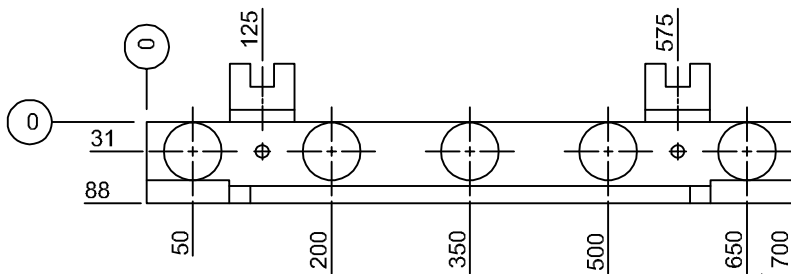


FOR ADJUSTMENT BLOCK  
USE J - 441058

FOR SPACER BLOCK  
USE J - 441057

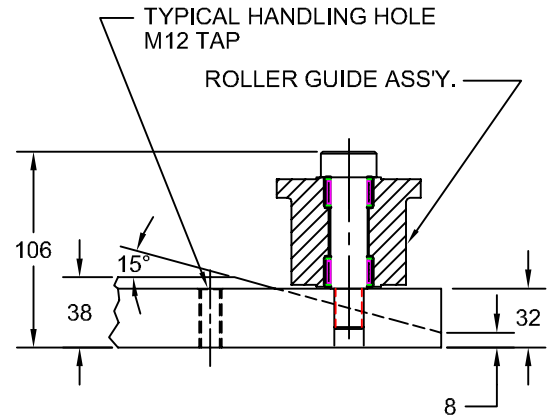
JOLICO NUMBER	FORD PART NUMBER
J - 331021	WDX3 - 80 - 400550
● J - 331021 - A	WDX3 - 80 - 400550 - A

ORDERING EXAMPLE  
● J - 331020 - A  
    └── STOCK GUIDE ASSEMBLY NUMBER  
STOCK GUIDE ASSEMBLY NUMBER CONSIST OF STOCK GUIDE, ADJUSTABLE BLOCKS, SPACER BLOCKS AND M12 X 55 LONG SOCKET HEAD CAP SCREWS.

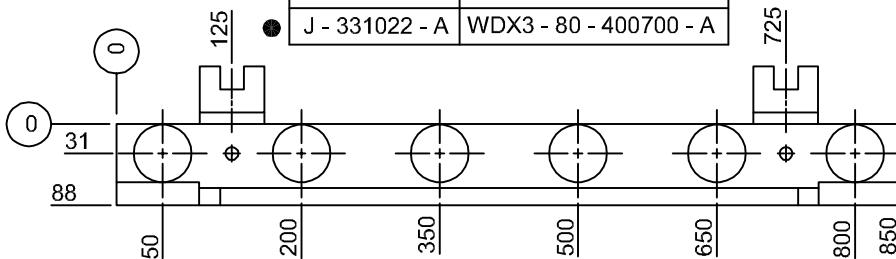


JOLICO NUMBER	FORD PART NUMBER
J - 331022	WDX3 - 80 - 400700
● J - 331022 - A	WDX3 - 80 - 400700 - A

VIEW "X"



ENLARGED VIEW "X"  
TYPICAL BOTH ENDS  
(NO HANDLING HOLES IN)  
J - 331018, J - 331019 AND  
J - 331020



JOLICO NUMBER	FORD PART NUMBER
J - 331023	WDX3 - 80 - 400850
● J - 331023 - A	WDX3 - 80 - 400850 - A