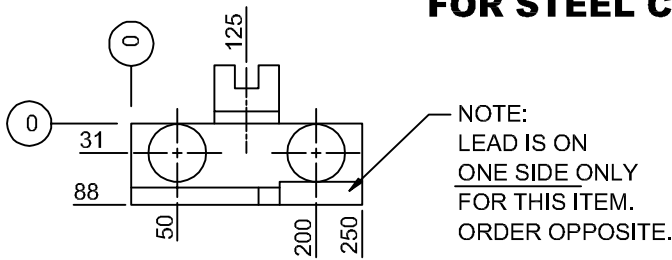


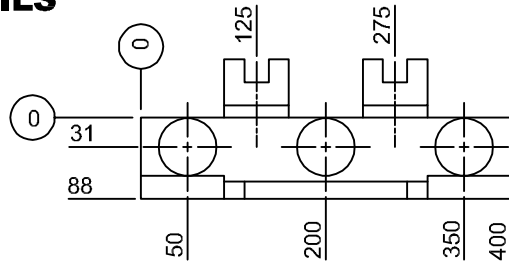
JOLICO J-B TOOL

PRINTED COPY IS UNCONTROLLED

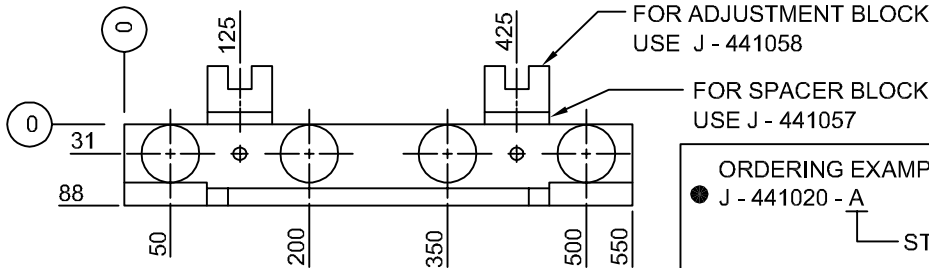
ADJUSTABLE COIL FEED GUIDE ASSEMBLY FOR STEEL COILS



JOLICO NUMBER	FORD PART NUMBER	
J - 441018	WDX3 - 80 - 130250	SHOWN
J - 441019	WDX3 - 80 - 131250	OPPOSITE
● J - 441018 - A	WDX3 - 80 - 130250 - A	SHOWN
● J - 441019 - A	WDX3 - 80 - 131250 - A	OPPOSITE

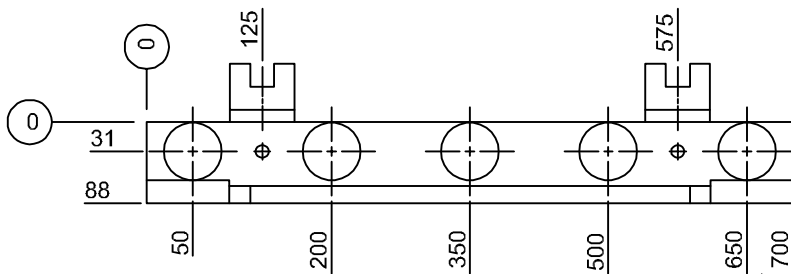


JOLICO NUMBER	FORD PART NUMBER
J - 441020	WDX3 - 80 - 130400
● J - 441020 - A	WDX3 - 80 - 130400 - A



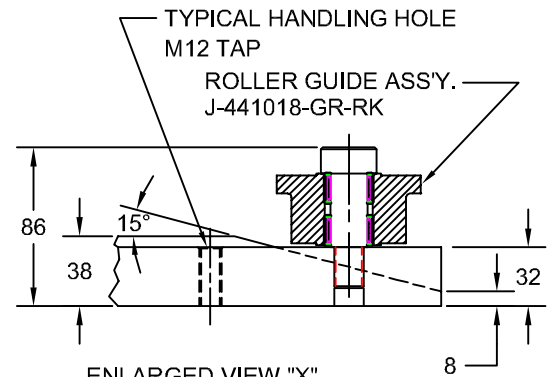
JOLICO NUMBER	FORD PART NUMBER
J - 441021	WDX3 - 80 - 130550
● J - 441021 - A	WDX3 - 80 - 130550 - A

ORDERING EXAMPLE
● J - 441020 - A
STOCK GUIDE ASSEMBLY NUMBER
STOCK GUIDE ASSEMBLY NUMBER CONSIST OF STOCK GUIDE, ADJUSTABLE BLOCKS, SPACER BLOCKS AND M12 X 55 LONG SOCKET HEAD CAP SCREWS.

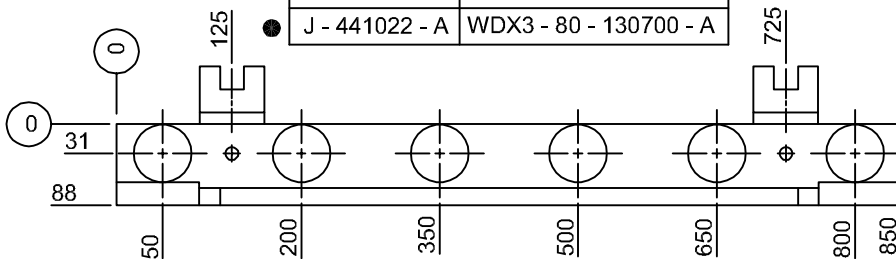


JOLICO NUMBER	FORD PART NUMBER
J - 441022	WDX3 - 80 - 130700
● J - 441022 - A	WDX3 - 80 - 130700 - A

VIEW "X"



ENLARGED VIEW "X"
TYPICAL BOTH ENDS
(NO HANDLING HOLES IN)
J - 441018, J - 441019 AND
J - 441020



JOLICO NUMBER	FORD PART NUMBER
J - 441023	WDX3 - 80 - 130850
● J - 441023 - A	WDX3 - 80 - 130850 - A