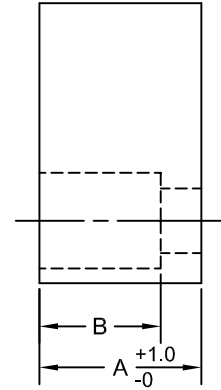
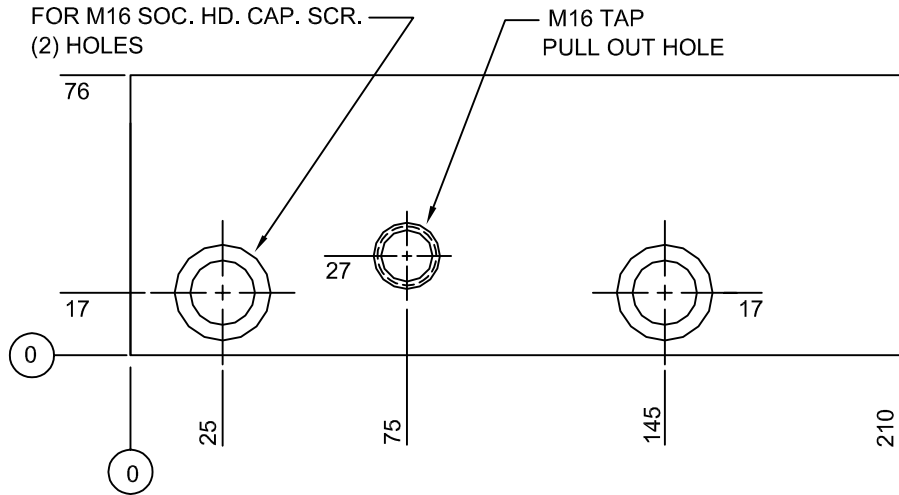


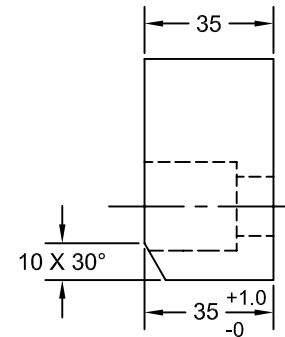
JOLICO J-B TOOL

PRINTED COPY IS UNCONTROLLED

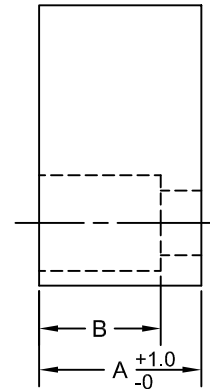
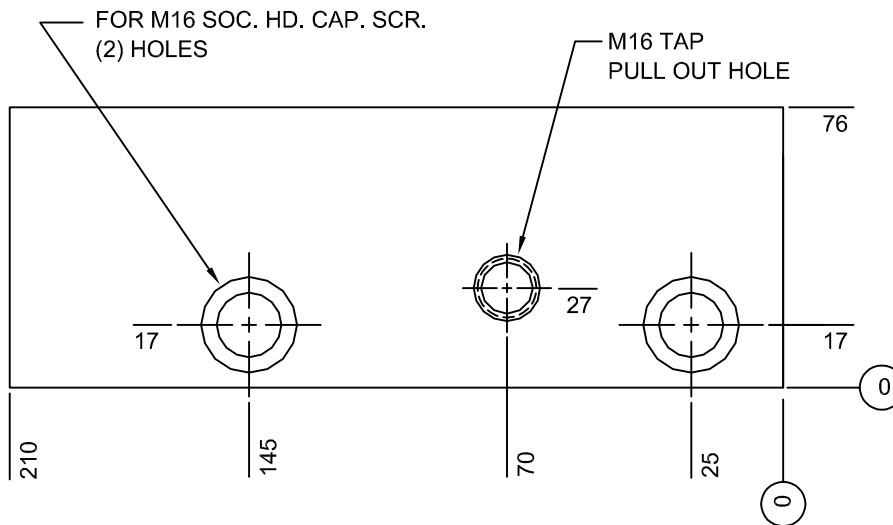
LOWER AND UPPER BLANKING STEELS



TRIM STEEL	JOLICO NUMBER	FORD PART NUMBER	A	B
LOWER STEEL	J - 226069	WDX3 - 82 - 0535076210	35	19
UPPER STEEL	J - 226070	WDX3 - 82 - 0544076210	44	30



LOWER STEELS ONLY HAS 10 X 30° CHAMFER



TRIM STEEL	JOLICO NUMBER	FORD PART NUMBER	A	B
LOWER STEEL	J - 226067	WDX3 - 82 - 0435076210	35	19
UPPER STEEL	J - 226068	WDX3 - 82 - 0444076210	44	30

SPECIFY MATERIAL CODE AT END OF ORDERING NUMBER.
 C = 1.7140 / CARMO BAR STOCK FLAME HARDEN Rc 55 MIN.
 D = CALDIE BAR STOCK FLAME HARDEN Rc 60 - 62
 A = AISI - A2 HARDEN Rc 59 - 63
 S = AISI - S7 HARDEN Rc 56 - 58

ORDERING EXAMPLE:
 J - 226067 - C

SPECIFY MATERIAL CODE