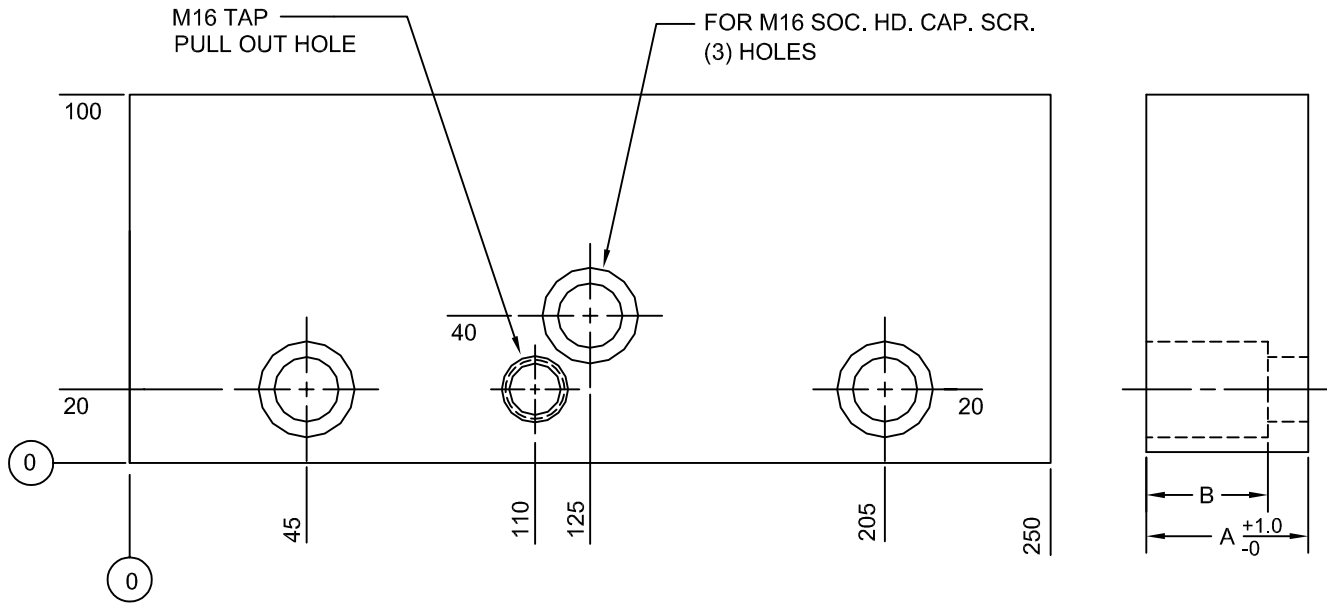


JOLICO J-B TOOL

PRINTED COPY IS UNCONTROLLED

LOWER AND UPPER BLANKING STEELS



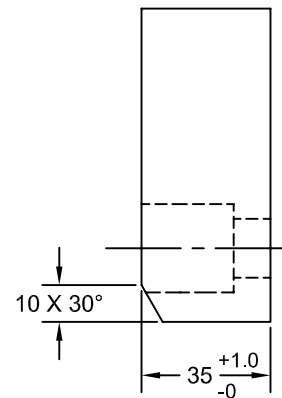
TRIM STEEL	JOLICO NUMBER	FORD PART NUMBER	A	B
LOWER STEEL	J - 226081	WDX3 - 82 - 1735100250	35	19
UPPER STEEL	J - 226082	WDX3 - 82 - 1744100250	44	30

SPECIFY MATERIAL CODE AT END OF ORDERING NUMBER.
 C = 1.7140 / CARMO BAR STOCK FLAME HARDEN Rc 55 MIN.
 D = CALDIE BAR STOCK FLAME HARDEN Rc 60 - 62
 A = AISI - A2 HARDEN Rc 59 - 63
 S = AISI - S7 HARDEN Rc 56 - 58

ORDERING EXAMPLE:

J - 226082 - C

SPECIFY MATERIAL CODE



LOWER STEELS ONLY
 HAS 10 X 30° CHAMFER