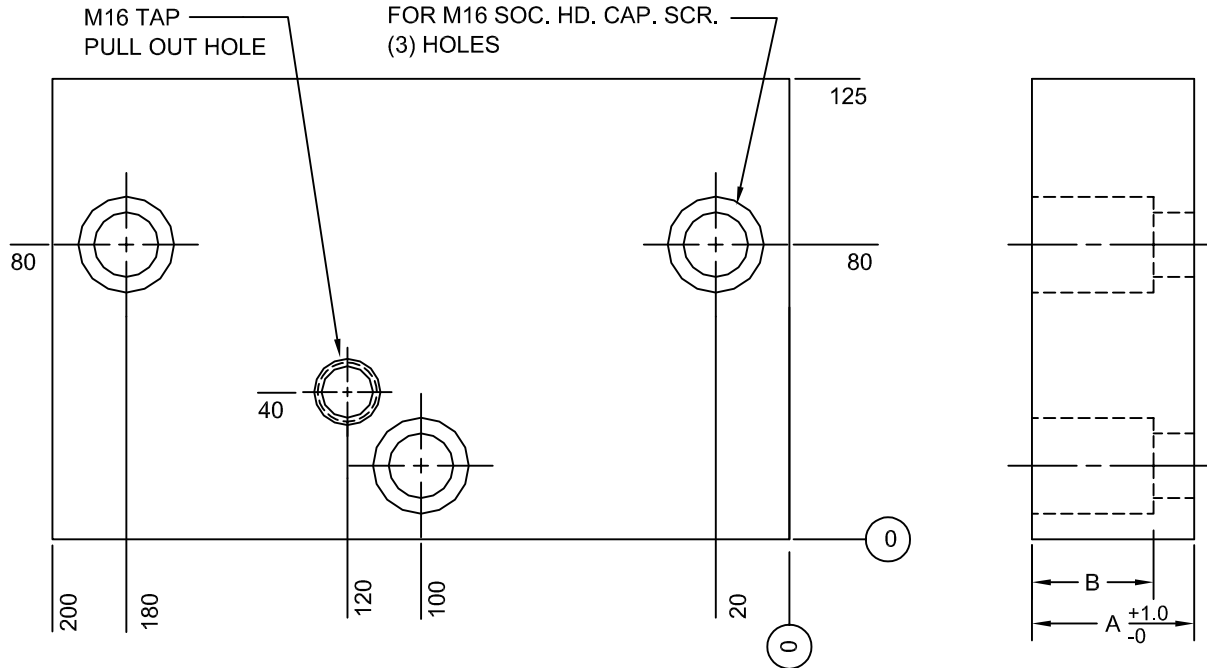


# JOLICO J-B TOOL

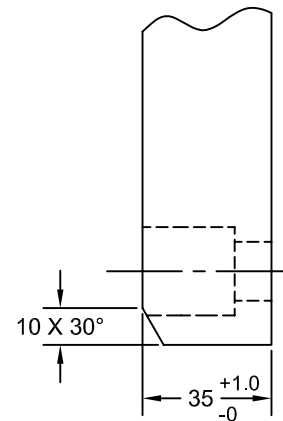
PRINTED COPY IS UNCONTROLLED

## LOWER AND UPPER BLANKING STEELS



TRIM STEEL	JOLICO NUMBER	FORD PART NUMBER	A	B
LOWER STEEL	J - 226087	WDX3 - 82 - 2635200125	35	19
UPPER STEEL	J - 226088	WDX3 - 82 - 2644200125	44	30

SPECIFY MATERIAL CODE AT END OF ORDERING NUMBER.  
 C = 1.7140 / CARMO BAR STOCK FLAME HARDEN Rc 55 MIN.  
 D = CALDIE BAR STOCK FLAME HARDEN Rc 60 - 62  
 A = AISI - A2 HARDEN Rc 59 - 63  
 S = AISI - S7 HARDEN Rc 56 - 58



LOWER STEELS ONLY  
HAS 10 X 30° CHAMFER

ORDERING EXAMPLE:

J - 226087 - C

↑  
 SPECIFY MATERIAL CODE