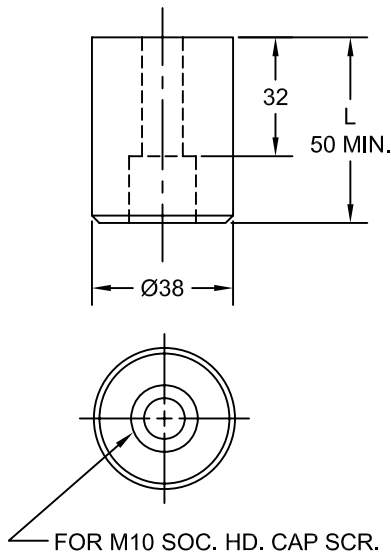


JOLICO J-B TOOL

PRINTED COPY IS UNCONTROLLED

PUSHER BLOCK , STICKER PLATE AND SLIDE PIN STOP FOR INSTALLING IN DIE CASTING



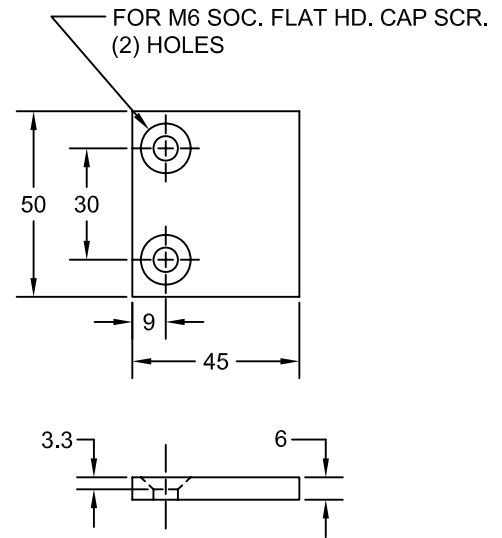
PUSHER BLOCK

JOLICO NUMBER	FORD PART NUMBER
J - 558151	WDX6 - 80 - 153850

ORDERING EXAMPLE

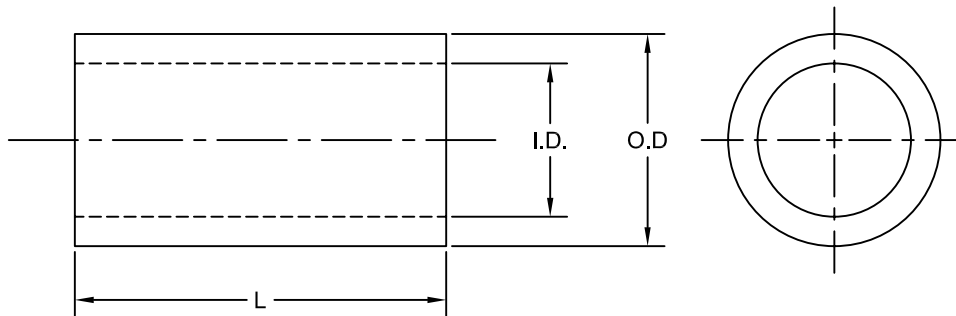
J - 558151 - L 075

— BLOCK LENGTH



STRIKER PLATE

JOLICO NUMBER	FORD PART NUMBER
J - 558150	WDX6 - 80 - 155045



SLIDE PIN STOP

JOLICO PART NUMBER	FORD PART NUMBER	SLIDE PIN	L= LENGTH		STEEL TUBING	
			MIN.	MAX.	O.D.	I.D.
J- 558160	WDX06-80-15501	Ø50	20	40	49.25	36.50
J- 558161	WDX06-80-15602	Ø60	25	75	58.72	46.05
J- 558162	WDX06-80-15753	Ø75	20	90	73.02	53.98

ORDERING EXAMPLE

J - 558161 - L 75

— SLIDE PIN LENGTH