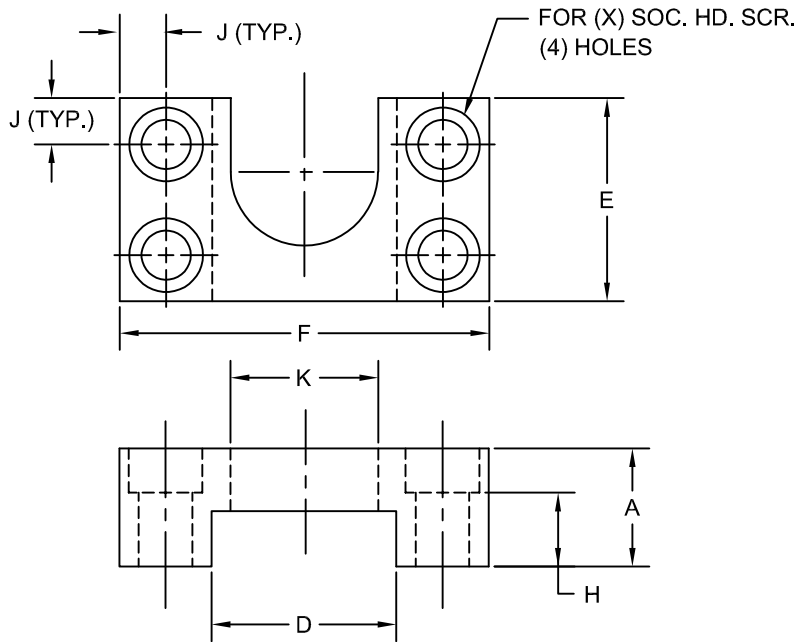


# JOLICO J-B TOOL

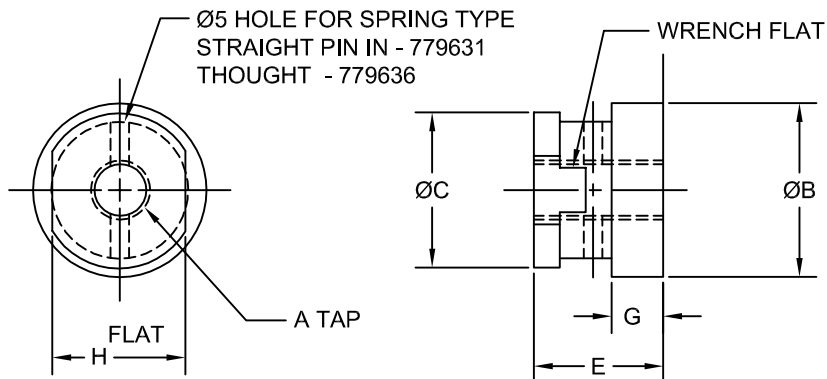
PRINTED COPY IS UNCONTROLLED

## CAM COUPLING PLATE AND COUPLING NUT



**COUPLING PLATE**

JOLICO NUMBER	FORD PART NUMBER	A	D	E	F	H	J	X	K
779620	WDX7 - 60 - 1701	25	38	50	80	15	11.5	M10	28
779621	WDX7 - 60 - 1702	32	50	55	100	20	12.5	M12	40
779622	WDX7 - 60 - 1703	40	60	65	120	24	16.0	M16	50
779623	WDX7 - 60 - 1704	45	80	100	150	19	18.0	M20	66



**COUPLING NUT**

SPRING- TYPE STRAIGHT PIN SLOTTED, HEAVY DUTY, DIN EN ISO 8752 (WILL BE SUPPLIED WITH COUPLING NUT)

JOLICO NUMBER	FORD PART NUMBER	A TAP	B	C	F	G	H	USE WITH COUPLING PLATE
779631-RP	WDX7 - 60 - 1802	M12 X 1.25	35	30	16	10	24	J - 779620
779632-RP	WDX7 - 60 - 1803	M16 X 1.5	47	42	19	14	36	J - 779621
779633-RP	WDX7 - 60 - 1804	M20 X 1.5						
779637-RP	WDX7 - 60 - 1808	M27 X 2.0						
779635-RP	WDX7 - 60 - 1806	M36 X 2.0	57	52	24	19	46	J - 779622
779636-RP	WDX7 - 60 - 1807	M42 X 2.0	76	64	50	19	60	J - 779623