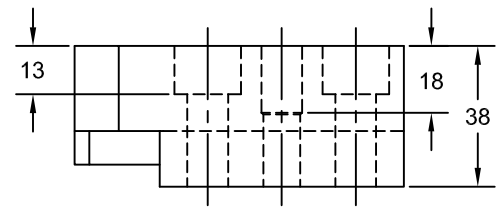
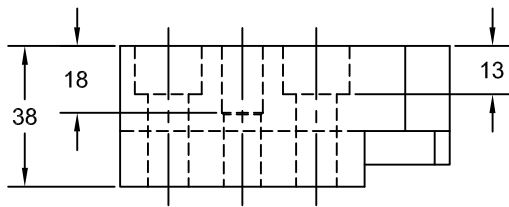


JOLICO J-B TOOL

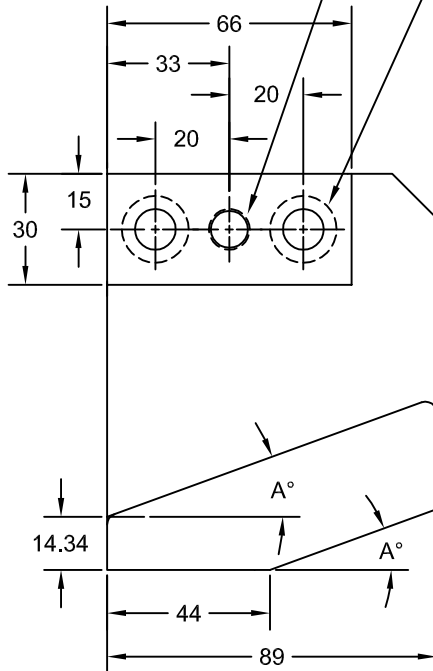
PRINTED COPY IS UNCONTROLLED

POSITIVE RETURN PLATE FOR RETRACTABLE SUNROOF UNIT



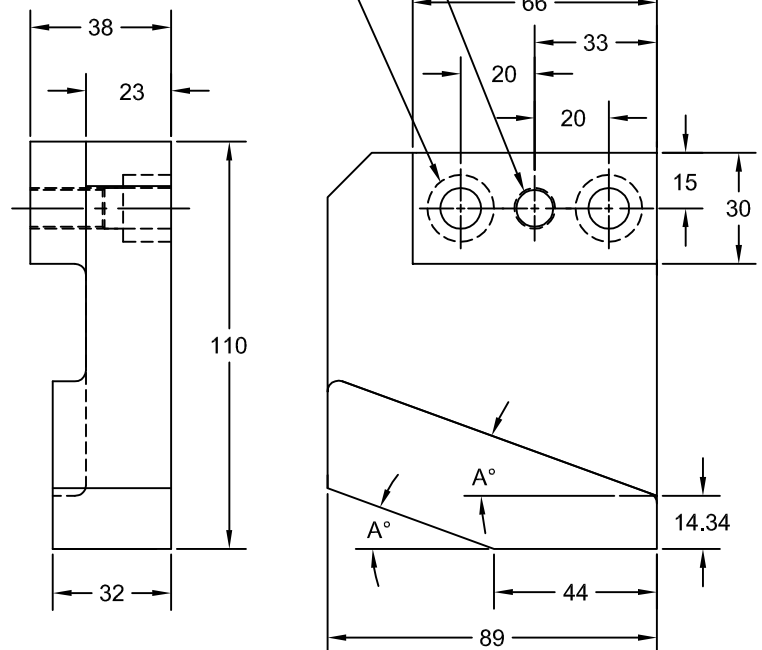
FOR M10 SOC. HD. CAP SCR.
(2) HOLES

FOR Ø10 DOWEL



FOR M10 SOC. HD. CAP SCR.
(2) HOLES

FOR Ø10 DOWEL



JOLICO NUMBER	FORD PART NUMBER	"A" ANGLE	DIE TYPE
J - 442155	WDX7 - 80 - 100120	20°	TRIM
J - 442156	WDX7 - 80 - 100125	25°	FLANGE

JOLICO NUMBER	FORD PART NUMBER	"A" ANGLE	DIE TYPE
J - 442157	WDX7 - 80 - 100220	20°	TRIM
J - 442158	WDX7 - 80 - 100225	25°	FLANGE