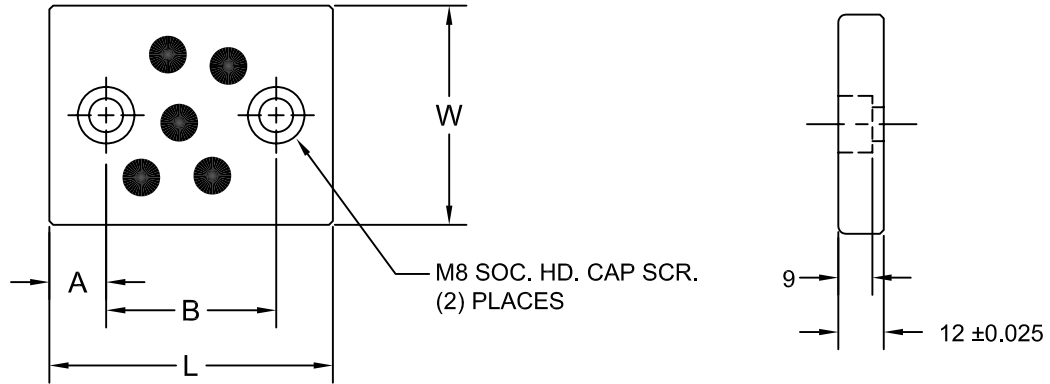


JOLICO J-B TOOL

PRINTED COPY IS UNCONTROLLED

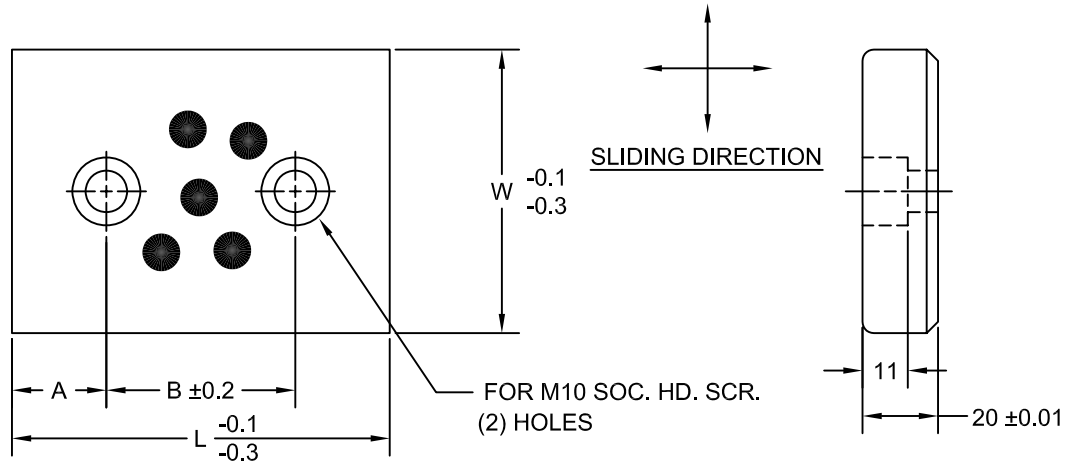
ROTARY CAM WEAR PLATES 12 AND 20 mm THICK



ROTARY CAM WEAR PLATE 12 mm THICK

ORDERING EXAMPLE J - 442330 - G
SPECIFY MATERIAL (X), (Y) OR (G)

| JOLICO NUMBER | FORD PART NUMBER | W | L | A | B |
|---------------|-----------------------|----|----|------|----|
| J - 442329 | WDX7 - 88 - 031238048 | 38 | 48 | 11.5 | 25 |
| J - 442330 | WDX7 - 88 - 031238075 | 38 | 75 | 15.0 | 45 |
| J - 442331 | WDX7 - 88 - 031248075 | 48 | 75 | 15.0 | 45 |
| J - 442332 | WDX7 - 88 - 031258075 | 58 | 75 | 15.0 | 45 |



ROTARY CAM WEAR PLATE 20 mm THICK

ORDERING EXAMPLE J - 443804 - G
SPECIFY MATERIAL (X), (Y) OR (G)

MATERIAL SPECIFICATIONS:
(G) STEEL WITH GRAPHITE PLUGS:
(X) STEEL WITH NO GRAPHITE PLUGS:
(Y) BRONZE WITH GRAPHITE PLUGS:

| JOLICO NUMBER | FORD PART NUMBER | W | L | A | B |
|---------------|-----------------------|----|-----|----|-----|
| J - 443800 | WDX7 - 88 - 042048075 | 48 | 75 | 25 | 45 |
| J - 443801 | WDX7 - 88 - 042048100 | | 100 | | 50 |
| J - 443802 | WDX7 - 88 - 042048125 | | 125 | | 75 |
| J - 443803 | WDX7 - 88 - 042048150 | | 150 | | 100 |
| J - 443804 | WDX7 - 88 - 042048200 | | 200 | | 150 |
| J - 443805 | WDX7 - 88 - 042075075 | 75 | 75 | 25 | 25 |
| J - 443806 | WDX7 - 88 - 042075100 | | 100 | | 50 |
| J - 443807 | WDX7 - 88 - 042075125 | | 125 | | 75 |
| J - 443808 | WDX7 - 88 - 042075150 | | 150 | | 100 |
| J - 443809 | WDX7 - 88 - 042075200 | | 200 | | 150 |