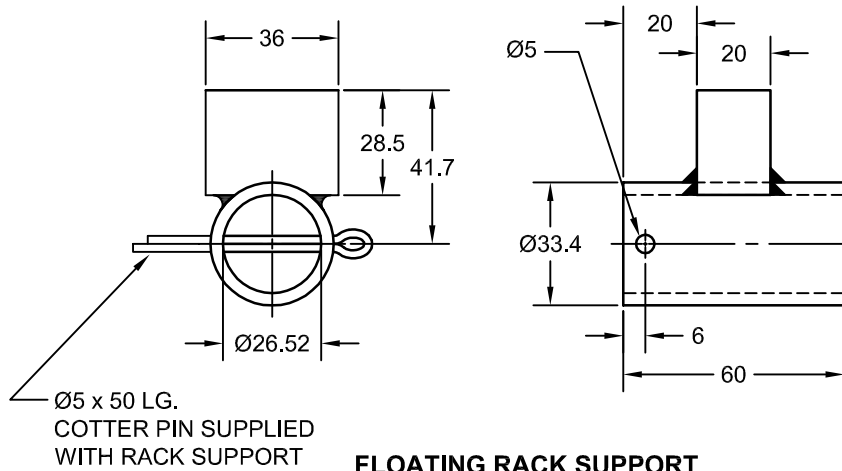


JOLICO J-B TOOL

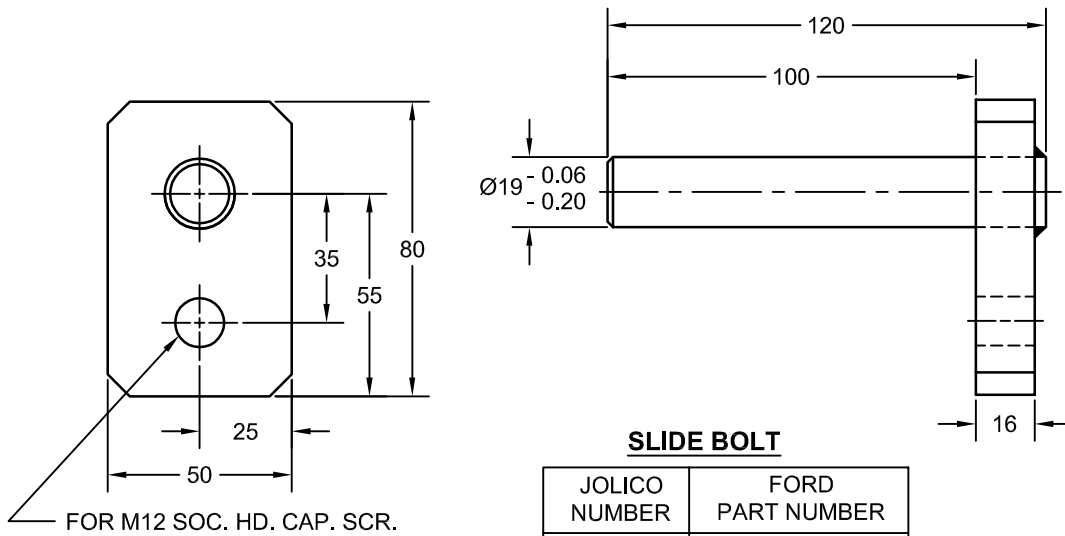
PRINTED COPY IS UNCONTROLLED

FLOATING RACK SUPPORT



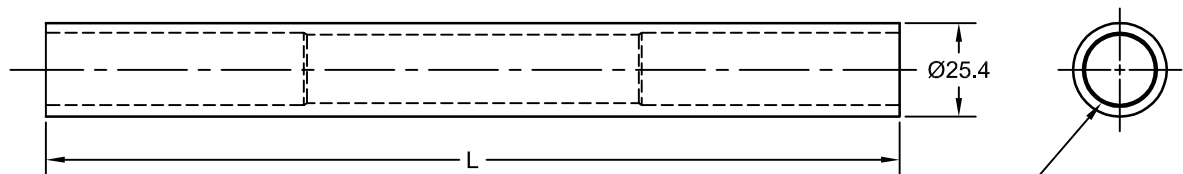
FLOATING RACK SUPPORT

| JOLICO NUMBER | FORD PART NUMBER |
|---------------|------------------|
| J - 550310 | WDX08-83-15001 |



SLIDE BOLT

| JOLICO NUMBER | FORD PART NUMBER |
|---------------|------------------|
| J - 550311 | WDX08-83-15002 |



SLIDE RAIL SUPPORT

| JOLICO NUMBER | FORD PART NUMBER |
|---------------|------------------|
| J-550312 | WDX08-83-15003 |

ORDERING EXAMPLE

J - 550312 L1800

SPECIFY "L" DIMENSION
WHEN ORDERING

DRILL $\text{Ø}19$ $+0.20$
 -0.05
BOTH ENDS 70 mm DEEP