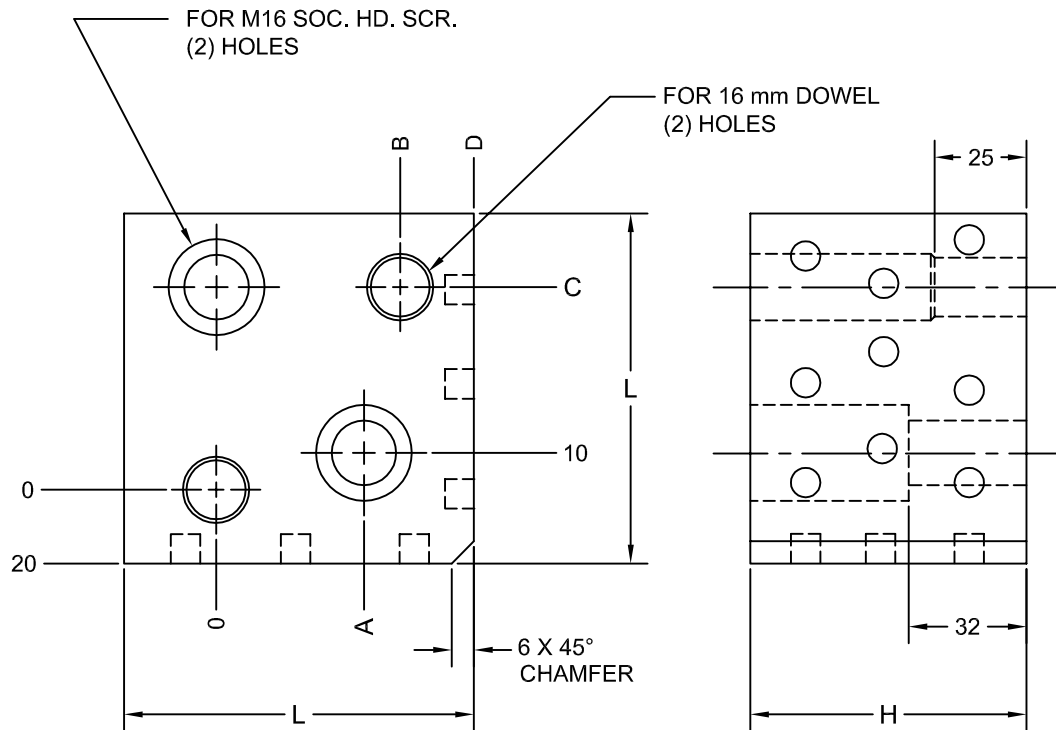


JOLICO J-B TOOL

PRINTED COPY IS UNCONTROLLED

SELF LUBE CORNER GUIDE BLOCKS



TOLERANCE BETWEEN SCREW HOLES ± 0.25
TOLERANCE BETWEEN DOWEL HOLES ± 0.10

JOLICO NUMBER	FORD NUMBER	L	H	A	B	C	D
J-337033	WDX14-80-1901	80	75	25	35	40	55
J-337034	WDX14-80-1902		100				
J-337035	WDX14-80-1903		125				
J-337037	WDX14-80-1905	95	100	40	50	55	70