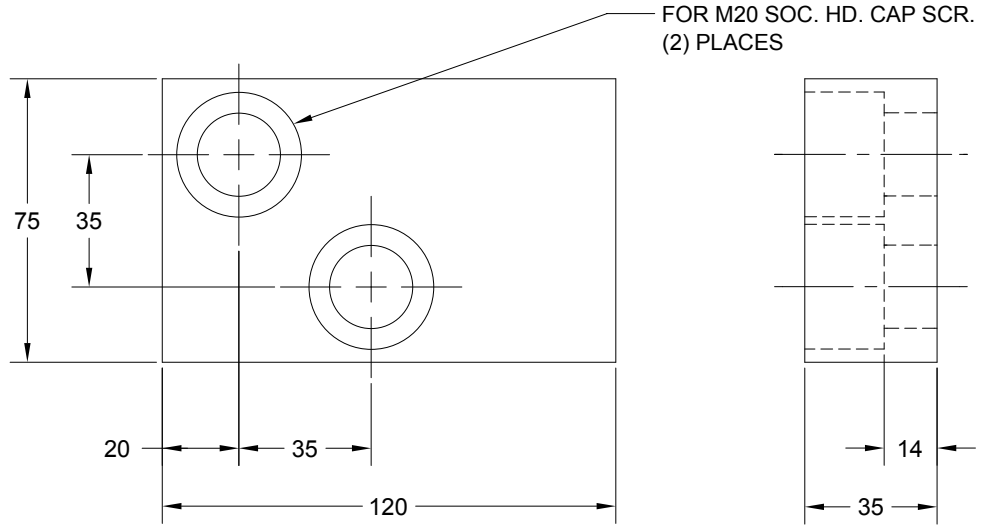


JOLICO J-B TOOL

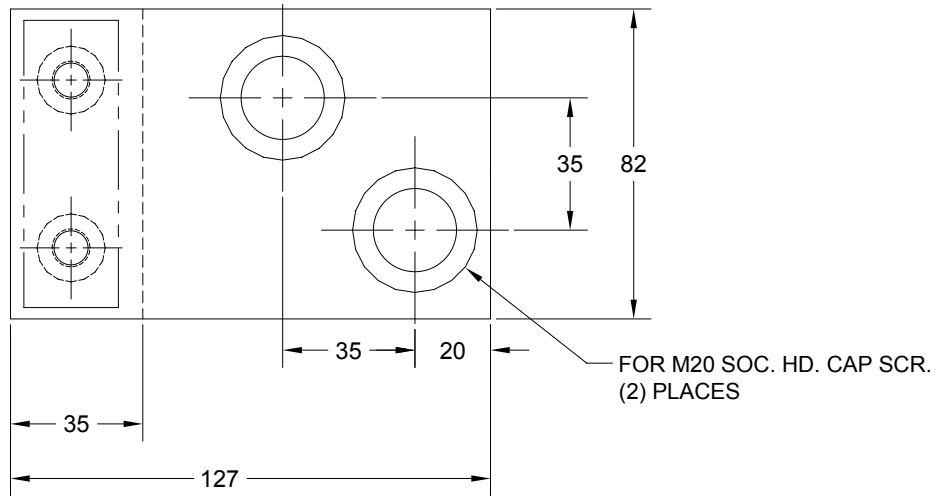
PRINTED COPY IS UNCONTROLLED

RETAINER PLATE AND PAD BOUNCE INHIBITOR

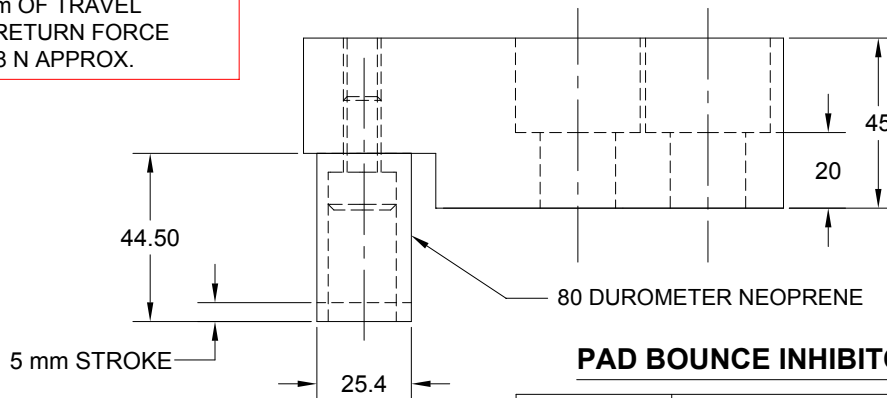


RETAINER PLATE

JOLICO NUMBER	FORD PART NUMBER
J - 449149	WDX14 - 82 - 1375120



NOTE:
THE BOUNCE INHIBITOR AT 5 mm OF TRAVEL HAS A RETURN FORCE OF 4448 N APPROX.



PAD BOUNCE INHIBITOR

JOLICO NUMBER	FORD PART NUMBER
J - 228736	WDX14 - 80 - 0145082127

PRE LOAD OF NEOPRENE SPRING IS 5 mm APPX.