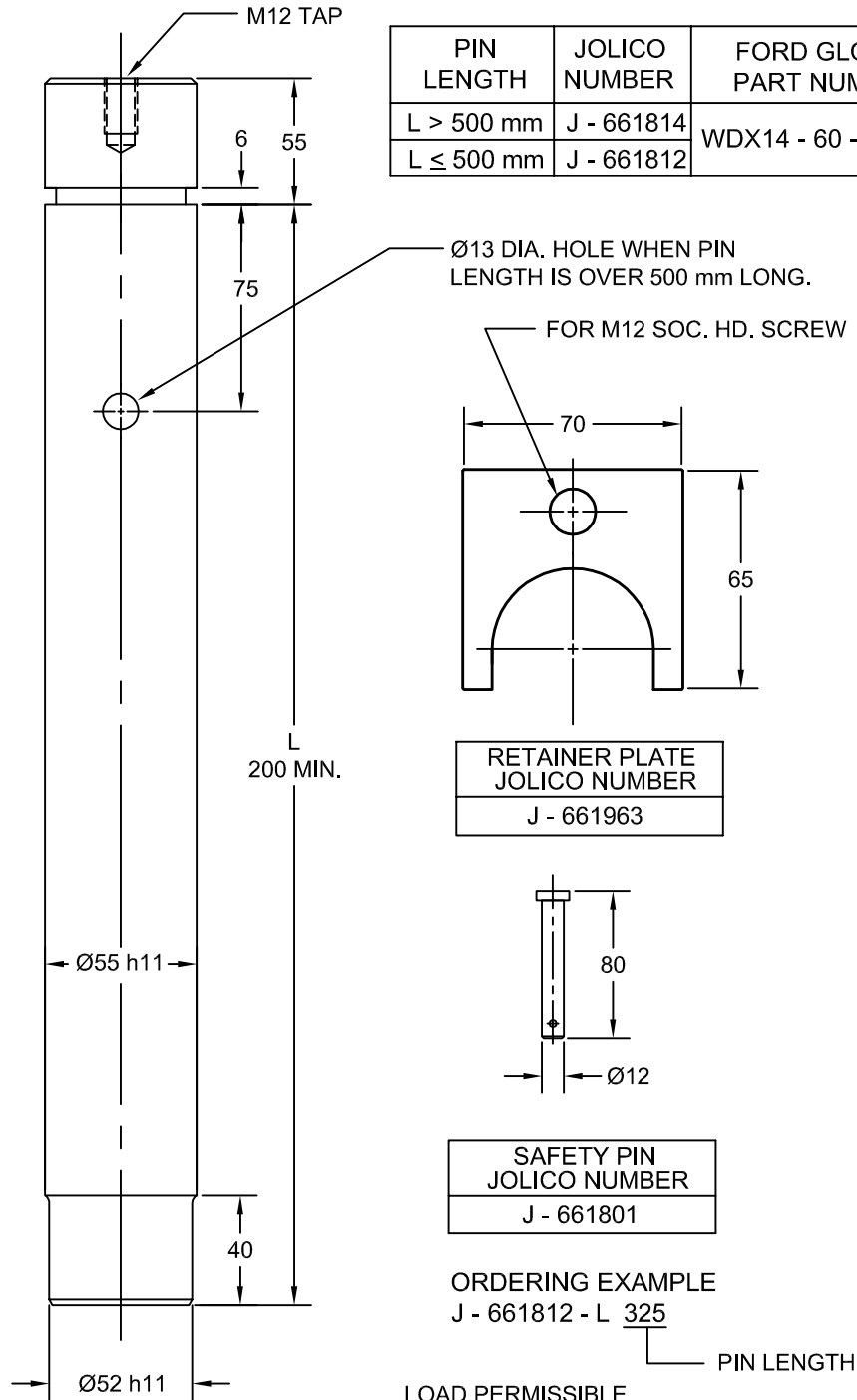


JOLICO J-B TOOL

PRINTED COPY IS UNCONTROLLED

SPECIAL PAD SAFETY PIN ASSEMBLY

SPECIAL PAD SAFETY PIN ASSEMBLY IS SUPPLIED WITH SAFETY PIN, RETAINER PLATE AND SAFETY PIN WHEN PIN LENGTH IS 500 mm AND OVER.



PIN LENGTH	JOLICO NUMBER	FORD GLOBAL PART NUMBER
L > 500 mm	J - 661814	WDX14 - 60 - 025502 A
L ≤ 500 mm	J - 661812	

RETAINER PLATE
JOLICO NUMBER
J - 661963

SAFETY PIN
JOLICO NUMBER
J - 661801

ORDERING EXAMPLE
J - 661812 - L 325

PIN LENGTH

LOAD PERMISSIBLE
PER PIN UNDER
STATIC LOAD
5200 Kg.