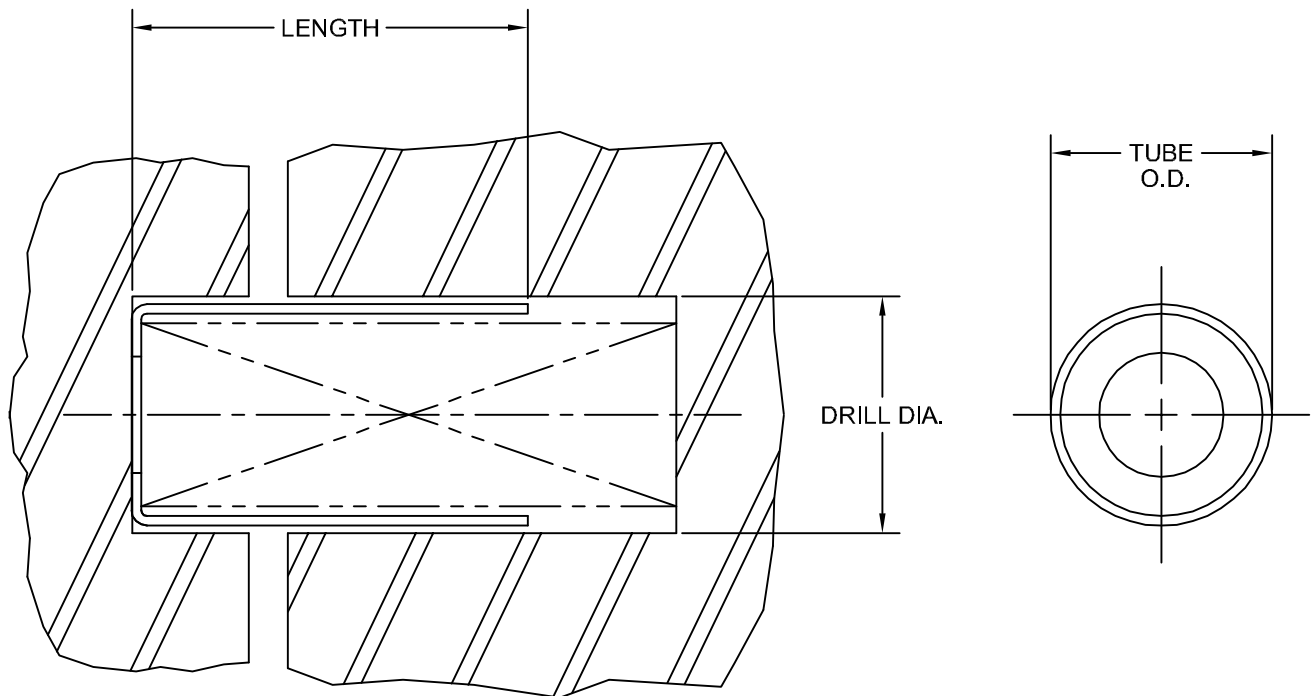


JOLICO J-B TOOL

PRINTED COPY IS UNCONTROLLED

SPRING CANS AND GUARDS



JOLICO NUMBER	FORD PART NUMBER	NOM. SPRING HOLE DIA.	RECOMMENDED DRILL DIA.	TUBE O.D. APPROX.
J - 100 --	WDX14 - 80 - 1219	20	24	21.6
J - 101 --	WDX14 - 8-- 1225	25	30	28.0
J - 102 --	WDX14 - 8-- 1232	32	36	34.3
J - 103 --	WDX14 - 8-- 1238	40	43	40.6
J - 104 --	WDX14 - 8-- 1250	50	56	53.3

↑
— SPRING GUARD LENGTH

JOLICO CODE	SPRING GUARDS LENGTH													
	01	02	03	04	05	07	09	11	13	17	19	21	22	23
LENGTH	25	32	38	44	51	64	76	89	102	127	152	178	203	229

ORDERING EXAMPLE

J - 10207

— SPECIFY SPRING GUARD LENGTH CODE
CODE 07 FOR 64 mm SPRING GUARD
LENGTH.