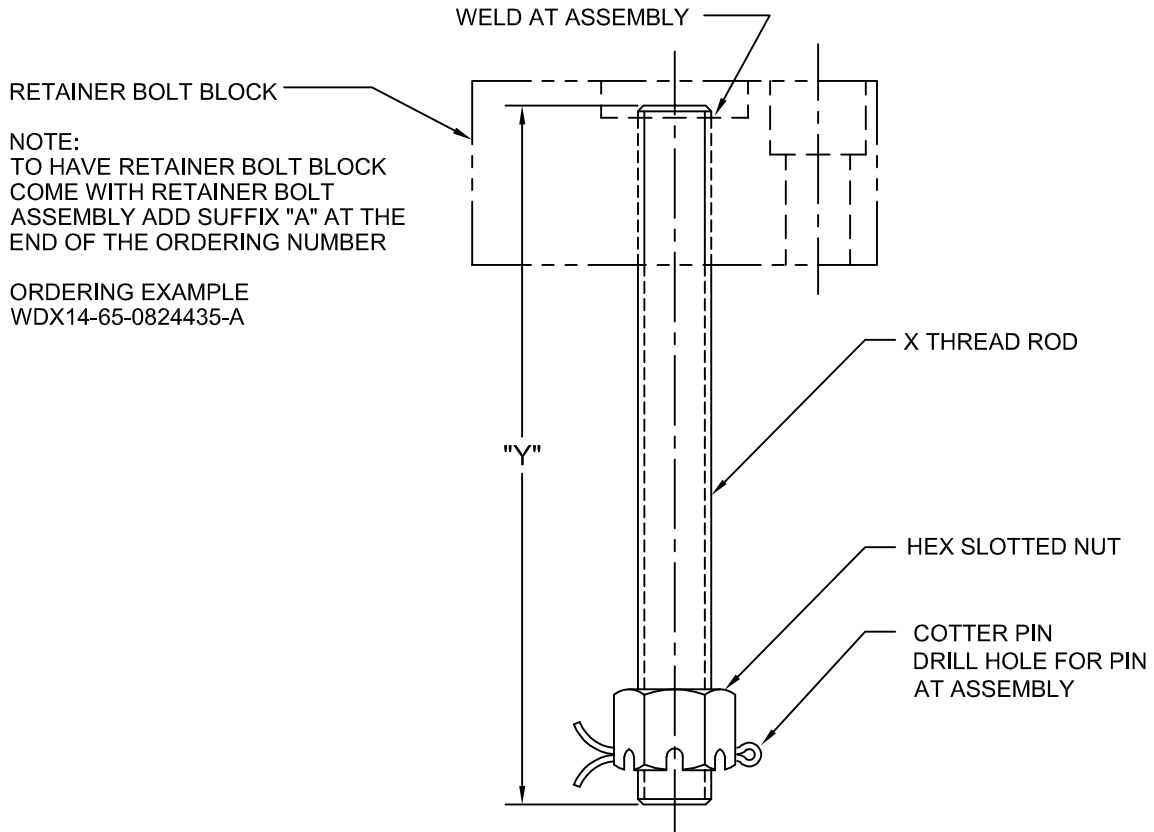


JOLICO J-B TOOL

PRINTED COPY IS
UNCONTROLLED

RETAINING BOLT ASSEMBLY



GUIDE POST	JOLICO NUMBER	FORD GLOBAL PART NUMBER	Y ROD LENGTH	X THREAD ROD SIZE	HEXAGON SLOTTED NUT SIZE	COTTER PINS SIZE
Ø50	J-118555	WDX14-65-0820350	350	M20 X 2.5	M20 X 2.5	Ø4 X 40
	J-118556	WDX14-65-0820370	370			
	J-118559	WDX14-65-0820394	394			
	J-118558	WDX14-65-0820420	420			
Ø63	J-118659	WDX14-65-0824385	385	M24 X 3.0	M24 X 3.0	Ø5 X 50
	J-118660	WDX14-65-0824409	409			
	J-118661	WDX14-65-0824435	435			
	J-118662	WDX14-65-0824465	465			
Ø80	J-118760	WDX14-65-0830435	435	M30 X 3.5	M30 X 3.5	Ø6 X 60
	J-118761	WDX14-65-0830465	465			
	J-118757	WDX14-65-0830500	500			
	J-118758	WDX14-65-0830540	540			
	J-118759	WDX14-65-0830585	585			

ITEM	AMT.	NAME	MATERIAL SPECIFICATIONS
1	1	THREADED ROD	MIN. GRADE 8.8 DIN 975 OR EQUIVALENT
2	1	HEXAGON SLOTTED NUT	DIN 935 OR BS 3692
3	1	COTTER PIN	STEEL DIN EN ISO 1234 OR BS 1574