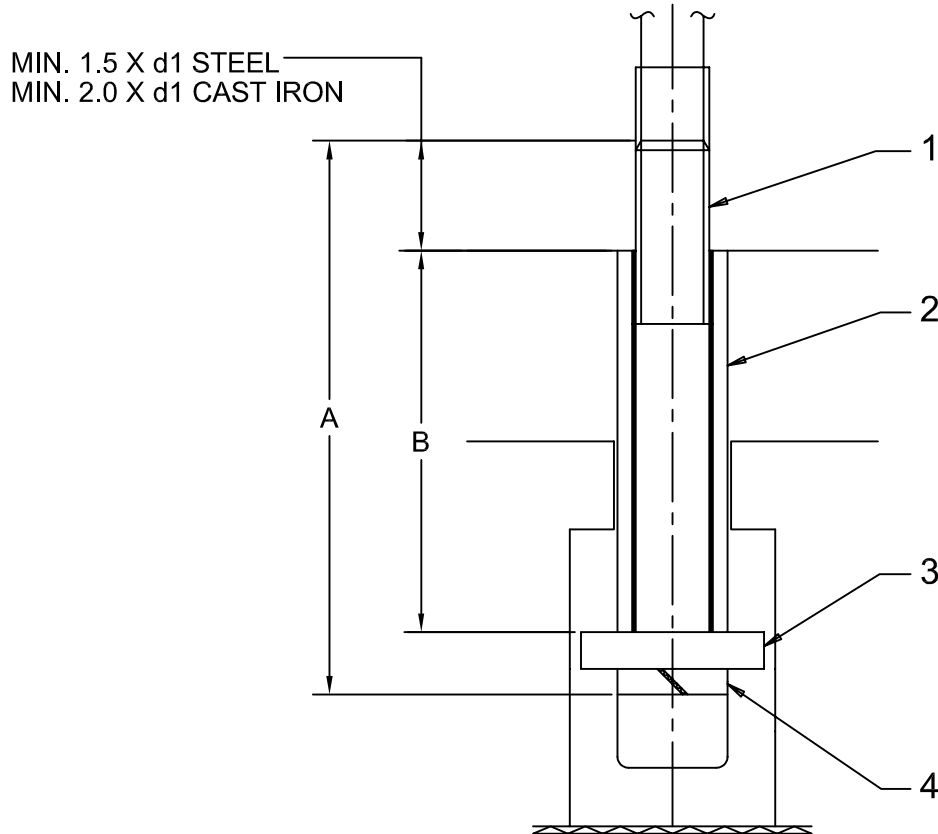


# JOLICO J-B TOOL

PRINTED COPY IS UNCONTROLLED

## PAD RETAINERS AND SAFETY RETAINERS FOR M10, M12 AND M16 THREADS



	<b>SAFETY SCREW SIZE</b>	<b>M10 SCREW</b>	<b>M12 SCREW</b>	<b>M16 SCREW</b>
	JOLICO PART NUMBER	J - 663210	J - 663212	J - 663216
	FORD PART NUMBER	WDX14 - 65 - 1110	WDX14 - 65 - 1112	WDX14 - 65 - 1116
	PERMISSIBLE LOAD	100 Kg	150 Kg	250 Kg
ITEM	PART NAME			
1	SOC. HD. CAP SCR.	M10	M12	M16
2	TUBING DIA.	Ø16 X 2.5	Ø20 X 3.2	Ø28 X 5.5
3	FLAT WASHER	J - 661842	J - 661843	J - 661844
4	SERRATED WASHER	M10	M12	M16

### ORDERING EXAMPLE:

J - 663210 130 095

TUBE LENGTH "B"

SCREW LENGTH "A"

RETAINER SCREW ASSEMBLY WITH M10 THREADS