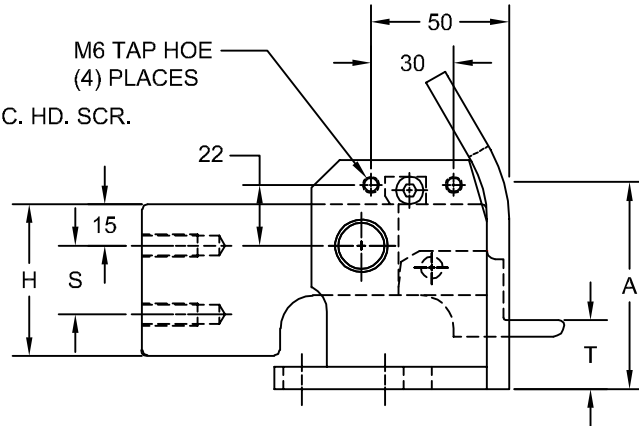
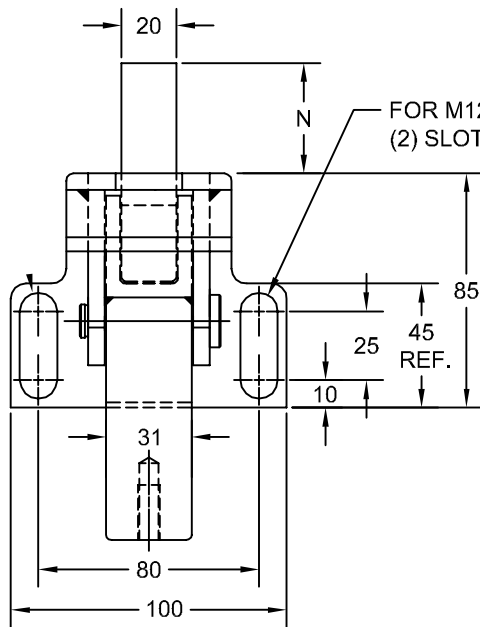


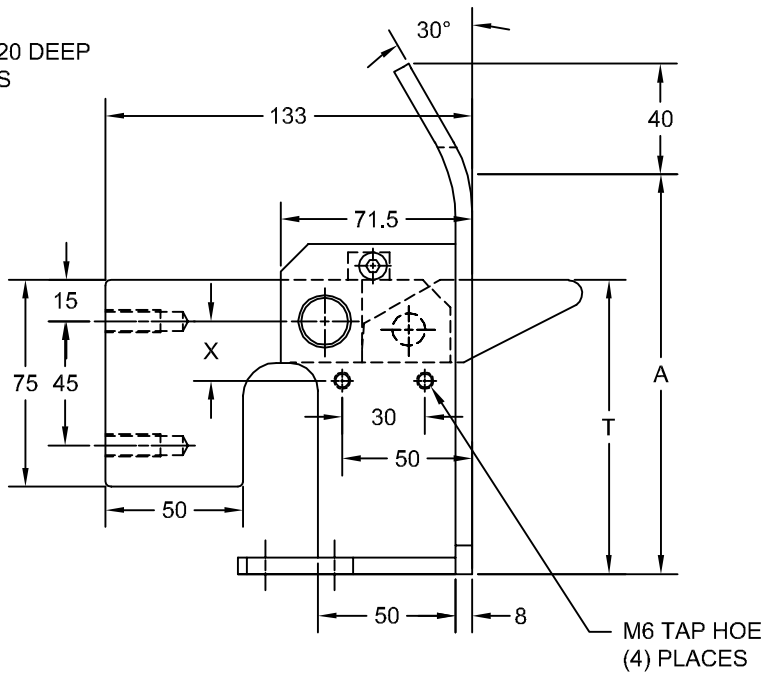
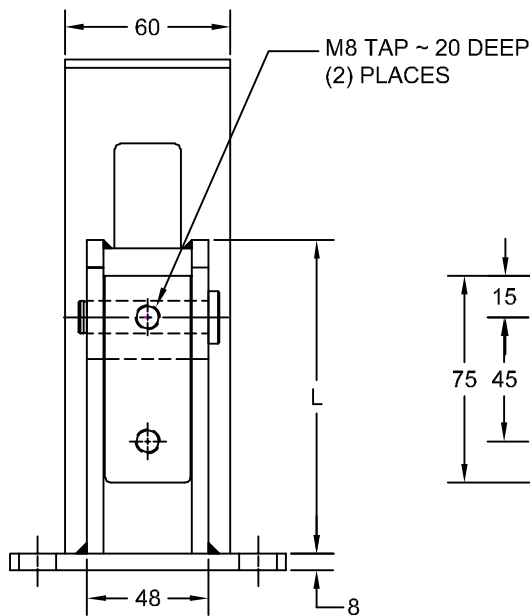
JOLICO J-B TOOL

PRINTED COPY IS UNCONTROLLED

BLANK SUPPORT GAGE



JOLICO NUMBER	FORD PART NUMBER	A	L	N	T	H	S
J-441529	WDX16-80-083075	75	75	20	25	55	25
J-441535	WDX16-80-083100	100	100	30	50	75	45



JOLICO NUMBER	FORD PART NUMBER	A	L	N	T	X
J-441536	WDX16-80-083125	125	100	35	75	38
J-441537	WDX16-80-083150	150	115	40	100	
J-441538	WDX16-80-083175	175	140	40	125	21
J-441539	WDX16-80-083200	200	165	40	150	