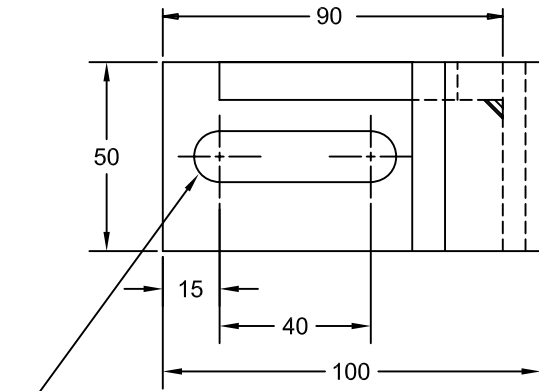


JOLICO J-B TOOL

PRINTED COPY IS UNCONTROLLED

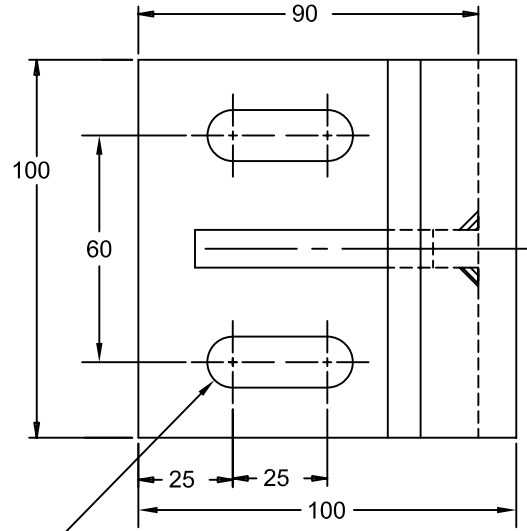
DRAW DIE SIDE GAGE 50 AND 100 mm WIDE



FOR M12 SOC. HD. SCR.

DRAW DIE SIDE GAGE 50 mm WIDE

JOLICO NUMBER	FORD PART NUMBER	"A"
J - 441030	WDX16 - 80 - 0950040	40
J - 441033	WDX16 - 80 - 0950050	50
J - 441034	WDX16 - 80 - 0950075	75
J - 441035	WDX16 - 80 - 0950100	100
J - 441036	WDX16 - 80 - 0950125	125
J - 441037	WDX16 - 80 - 0950150	150
J - 441038	WDX16 - 80 - 0950175	175
J - 441039	WDX16 - 80 - 0950200	200
J - 441083	WDX16 - 80 - 0950225	225



FOR M12 SOC. HD. SCR.
(2) PLACES

DRAW DIE SIDE GAGE 100 mm WIDE

JOLICO NUMBER	FORD PART NUMBER	"A"
J - 441008 - 040	WDX16 - 80 - 02100040	40
J - 441008 - 050	WDX16 - 80 - 02100050	50
J - 441008 - 075	WDX16 - 80 - 02100075	75
J - 441008 - 100	WDX16 - 80 - 02100100	100
J - 441008 - 125	WDX16 - 80 - 02100125	125
J - 441008 - 150	WDX16 - 80 - 02100150	150
J - 441008 - 175	WDX16 - 80 - 02100175	175
J - 441008 - 200	WDX16 - 80 - 02100200	200
J - 441008 - 225	WDX16 - 80 - 02100225	225

