

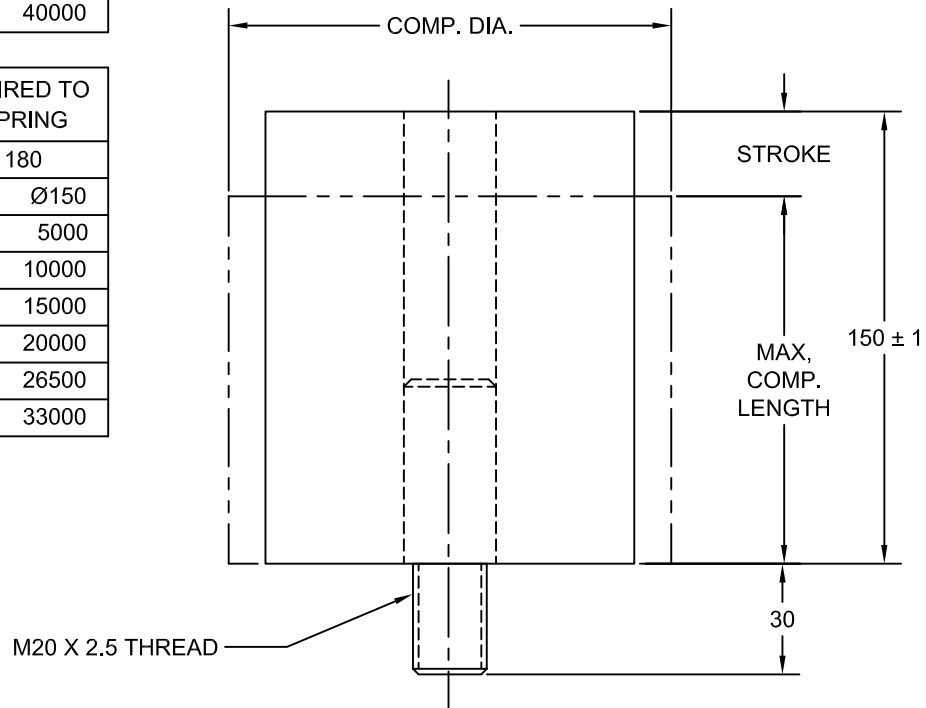
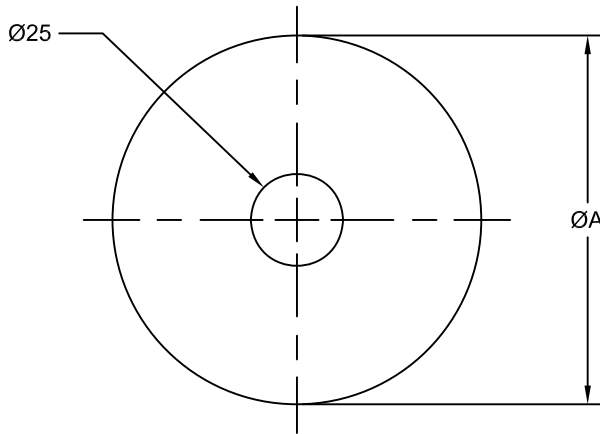
JOLICO J-B TOOL

RUBBER STORAGE BLOCK

PRINTED COPY IS UNCONTROLLED

STROKE	FORCE (N) REQUIRED TO COMPRESS SPRING		
	FREE LENGTH 150		
	Ø100	Ø125	Ø150
5	1600	3000	6000
10	3200	6000	12000
15	5950	10000	18500
20	8700	14000	25000
25	11300	18750	32500
30	13900	23500	40000

STROKE	FORCE (N) REQUIRED TO COMPRESS SPRING		
	FREE LENGTH 180		
	Ø100	Ø125	Ø150
5	1150	2500	5000
10	2300	5000	10000
15	4450	8000	15000
20	6600	11000	20000
25	8800	15000	26500
30	11000	19000	33000



JOLICO NUMBER	FORD PART NUMBER	OUTSIDE DIAMETER	FREE LENGTH	27.5% MAX. COMP.	MAX. COMP. LENGTH (FREE LENGTH MINUS MAX. COMP.)	MAX. COMP. DIAMETER @ MAX. COMP.
J - 223542 - T	WDX14 - 84 - 07100150	100	150	41.3	108.7	128
J - 223549 - T	WDX14 - 84 - 08125150	125	150	41.3	108.7	161
J - 223556 - T	WDX14 - 84 - 09150150	150	150	41.3	108.7	192
J - 223562 - T	WDX14 - 84 - 07100180	100	180	49.5	130.5	128
J - 223565 - T	WDX14 - 84 - 08125180	125	180	49.5	130.5	161
J - 223570 - T	WDX14 - 84 - 09150180	150	180	49.5	130.5	192