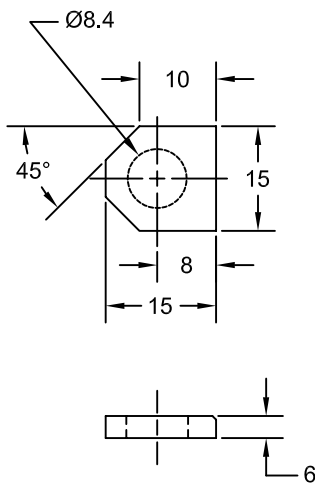


JOLICO J-B TOOL

PRINTED COPY IS UNCONTROLLED

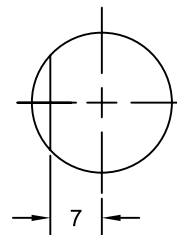
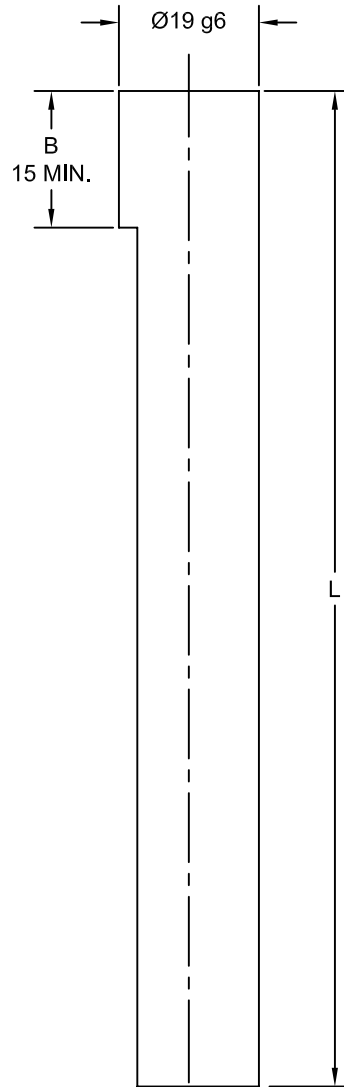
LINE DIE NITROGEN SPRING PLUNGER ASSEMBLY

USE FOR PART ANGLE OVER 25° FROM HORIZONTAL



PLUNGER RETAINER PLATE

JOLICO NUMBER	FORD PART NUMBER
J - 661957	WDX14-80-331915



PLUNGER PIN

JOLICO NUMBER	FORD PART NUMBER
J - 661956	WDX14-80-331901

PIN ORDERING EXAMPLE

J-661956 L135 B15

L = PIN LENGTH

B = PIN STOP DIM.