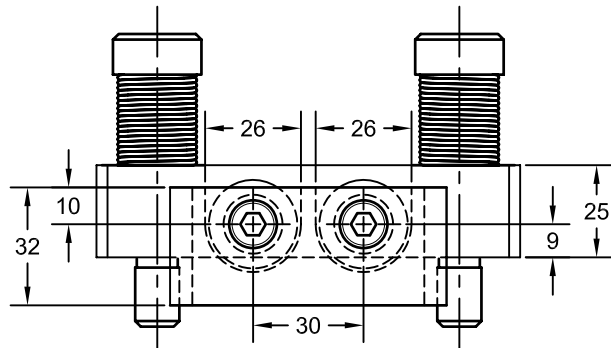


# JOLICO J-B TOOL

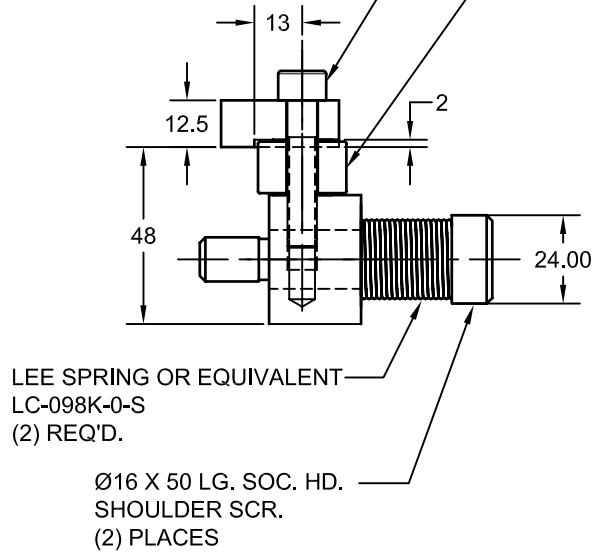
PRINTED COPY IS UNCONTROLLED

## SPRING LOADED CAM ROLLER ASSEMBLY FOR ROLL FORM DIES



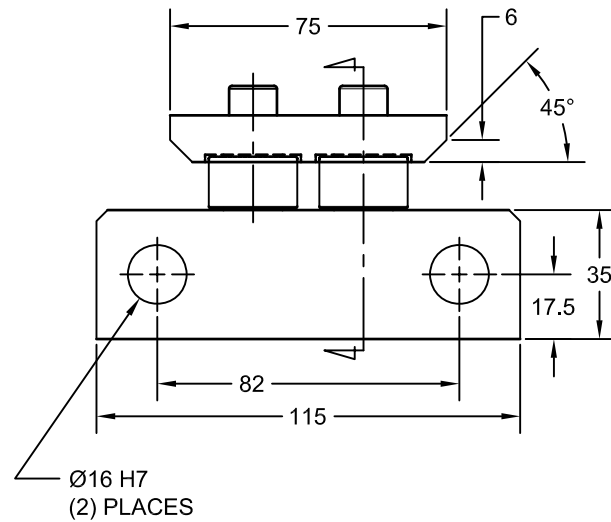
M8 X 40 LG.SOC. HD. CAP SCR.  
(2) PLACES

CAM ROLLER  
J-555565 (2) REQ'D.



LEE SPRING OR EQUIVALENT  
LC-098K-0-S  
(2) REQ'D.

Ø16 X 50 LG. SOC. HD.  
SHOULDER SCR.  
(2) PLACES



Ø16 H7  
(2) PLACES

JOLICO NUMBER	FORD PART NUMBER
J-555571	WDX11-84-0501