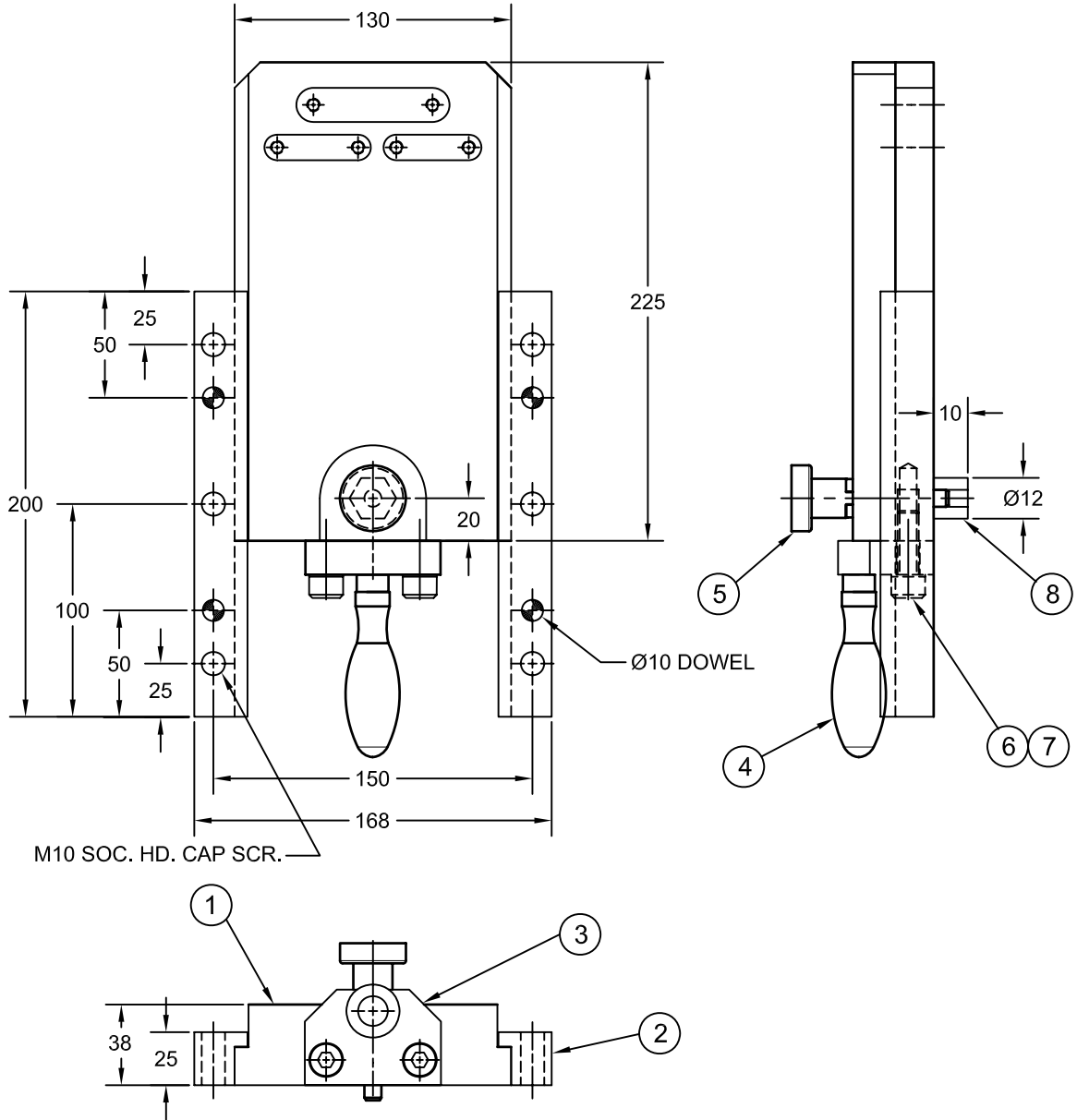


# JOLICO J-B TOOL

PRINTED COPY IS UNCONTROLLED

## REMOVABLE PART STAMP HOLDER FOR ROLL FORM DIES



JOLICO NUMBER		FORD PART NUMBER	
J-555650		WDX11-84-07025	
DET.	AMT.	PART NUMBER	DESCRIPTION
1	1	J-555650-1	STAMP HOLDER PLATE
2	2	J-555650-2	RETAINER PLATE
3	1	J-555650-3	HANDEL BLOCK
4	1	CLM-2-RH	REVOLVING HANDLE CARR LANE
5	1	CL-10-HRPK-L	HAND RETRACTABLE PLUNGER CARR LANE
6	1	PM-12-10-8.00	METRIC LINER BUSHING CARR LANE
7	2	STANDARD DETAIL	M10 X 25 LG. SOC. HD. CAP SCREW
8	2	STANDARD DETAIL	M10 SERRATED SAFETY WASHER