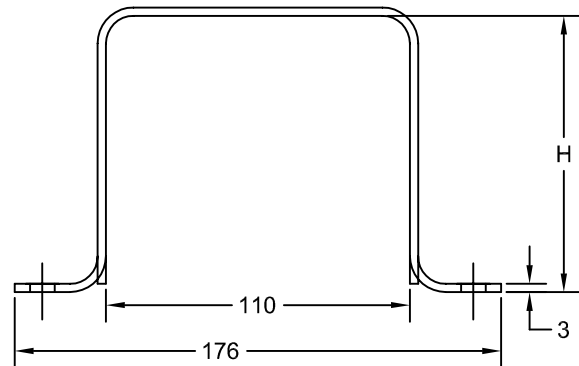
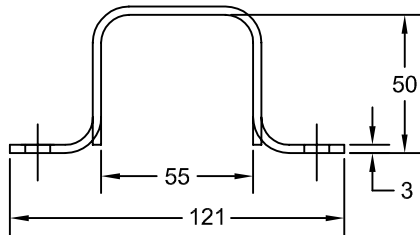
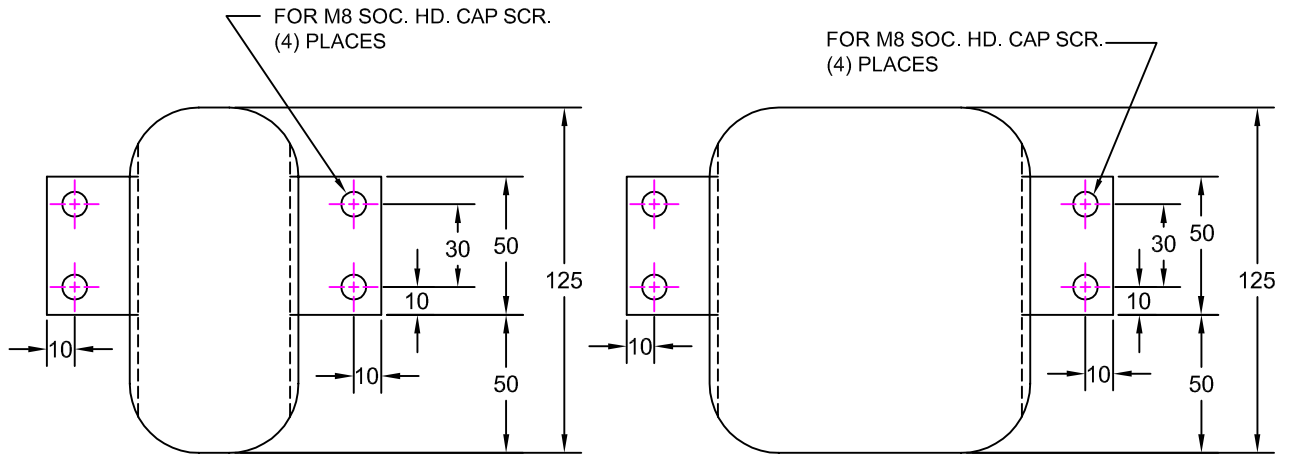


JOLICO J-B TOOL

PRINTED COPY IS UNCONTROLLED

BULKHEAD RECEPTACLE COVER



| JOLICO NUMBER | FORD PART NUMBER |
|---------------|------------------|
| J-229120 | WDX19-84-17055 |

| JOLICO NUMBER | FORD PART NUMBER | H |
|---------------|------------------|-----|
| J-229121 | WDX19-84-17050 | 50 |
| J-229122 | WDX19-84-17100 | 100 |