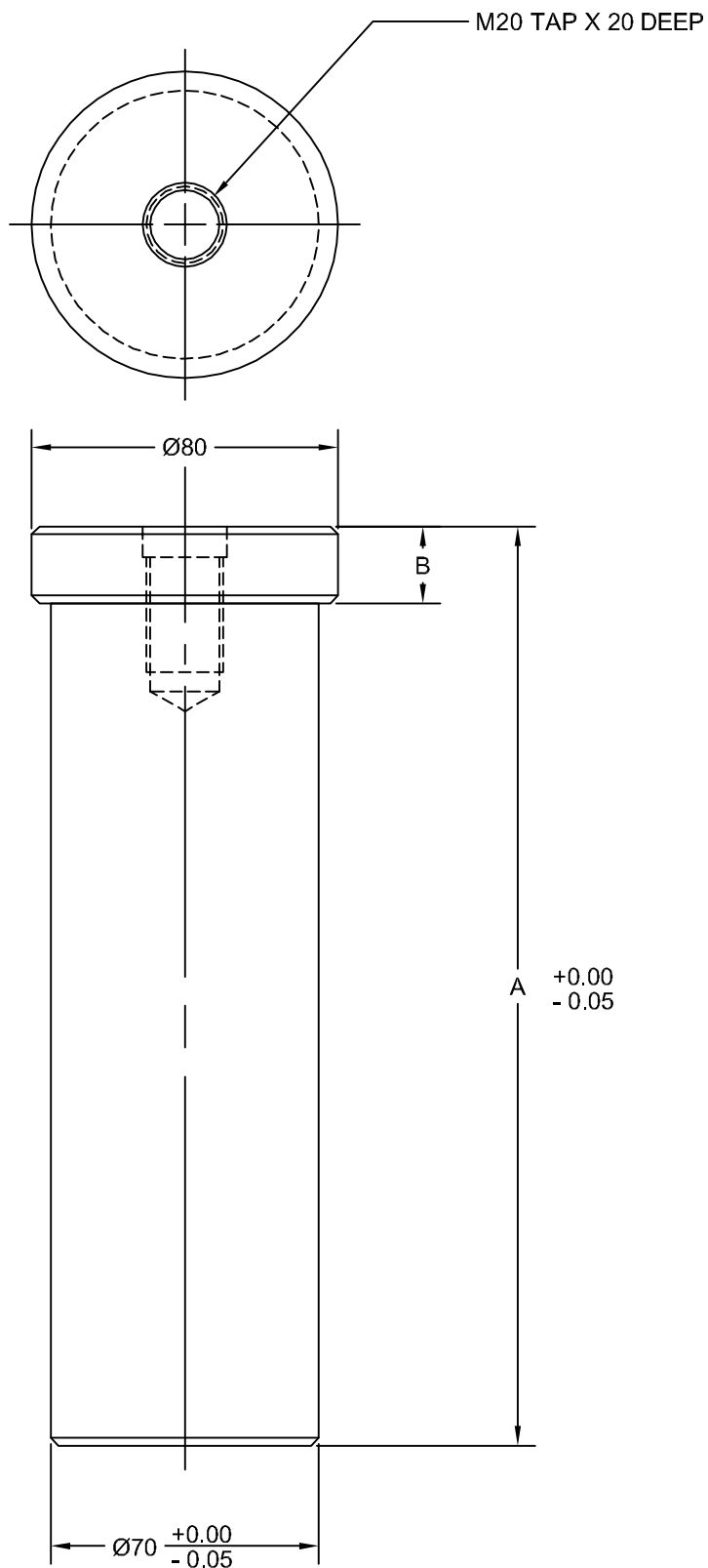


JOLICO J-B TOOL

PRINTED COPY IS UNCONTROLLED

TRANSFER PIN EXTENSION



ORDERING EXAMPLE
J-225703 - B 20 - A 400

SPECIFY "A" DIM.

| JOLICO NUMBER | FORD PART NUMBER | A | B |
|---------------|------------------|---------|-----------|
| J - 225703 | WDX9 - 80 - 4801 | SPECIFY | 20 |
| J - 225699 | WDX9 - 80 - 4802 | A | SPECIFY B |