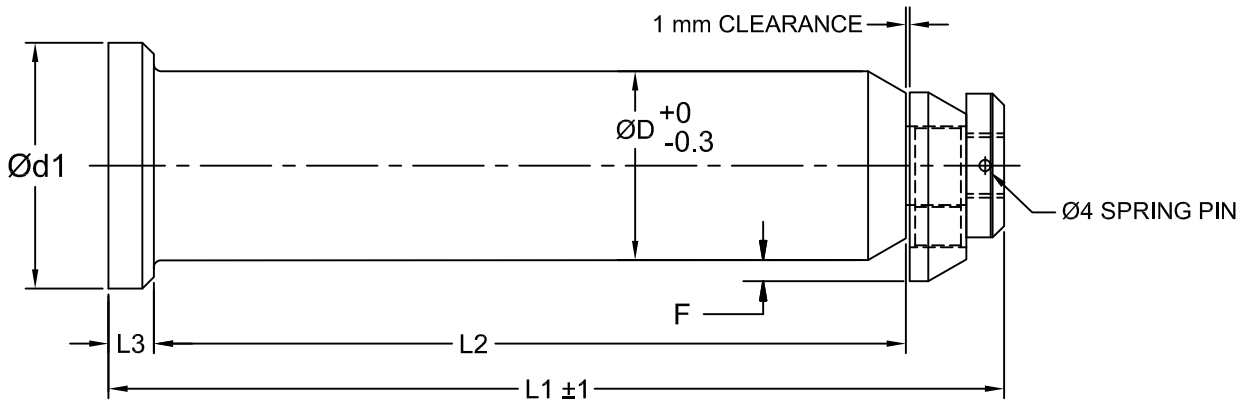


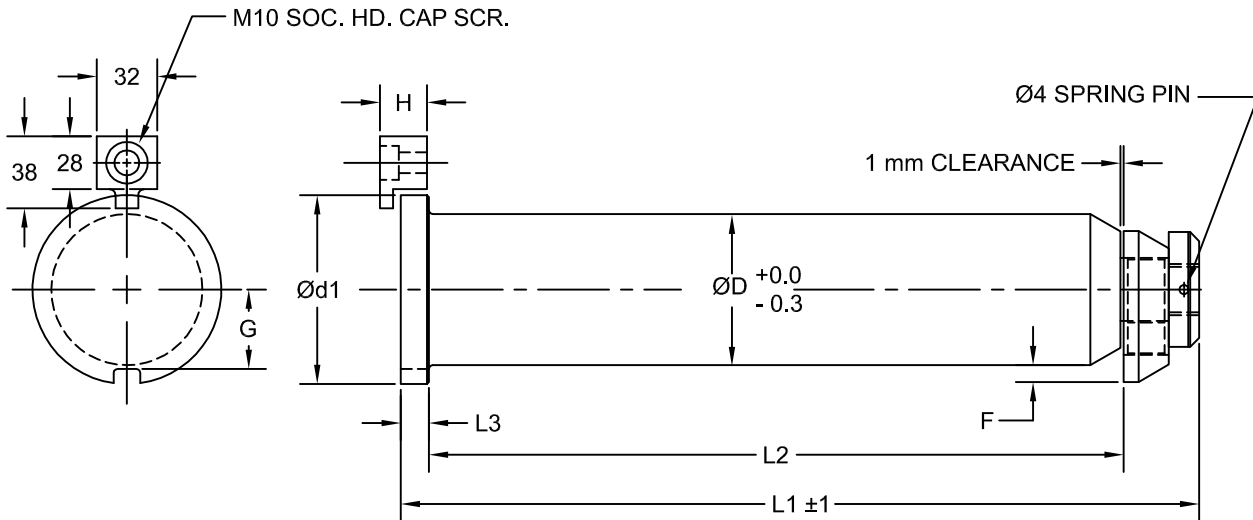
# JOLICO J-B TOOL

PRINTED COPY IS UNCONTROLLED

## DIE LIFT PIN WITH SPRING LOADED RETAINER RING



JOLICO NUMBER	FORD GLOBAL PART NUMBER	ØD	Ød1	L1	L2	L3	F	TOTAL DIE WEIGHT IN	
								METRIC TONS	U.S. TONS
J - 881350	WDX22-80-0550	50	63	230	189	10	9	UP TO 10	UP TO 11
J - 881363	WDX22-80-0563	63	76	320	279	10	9	UP TO 44	UP TO 50.1
J - 881380	WDX22-80-0580	80	89	370	319	15	10	UP TO 60	UP TO 66



NOTE: LOCK KEY IS SUPPLIED WITH LIFT PIN

JOLICO NUMBER	FORD PART NUMBER	ØD	Ød1	L1	L2	L3	F	G	H	TOTAL DIE WEIGHT IN	
										METRIC TONS	U.S. TONS
J - 881415	WDX22-80-0363279	63	76	320	279	10	9	32	20	UP TO 44	UP TO 50.1
J - 881416	WDX22-80-0380319	80	100	370	319	15	10	42	25	UP TO 60	UP TO 66
J - 881417	WDX22-80-0380360	80	100	411	360	15	10	42	25	UP TO 60	UP TO 66

NOTE:

TOTAL DIE WEIGHT MAXIMUM SAFE DIE HANDLING CAPACITY IS BASED ON A THREE POINT STRAIGHT LIFT, WHICH INCLUDES A TWO POINT SAFE LIFTING CAPACITY FOR DIE TURNOVER.

THE TOTAL DIE WEIGHT INCLUDES THE TOTAL UPPER AND LOWER DIE WEIGHT TOGETHER BASED ON THAT ALL UPPER AND LOWER DIE LIFT PINS ARE THE SAME SIZE ON THE DIE.