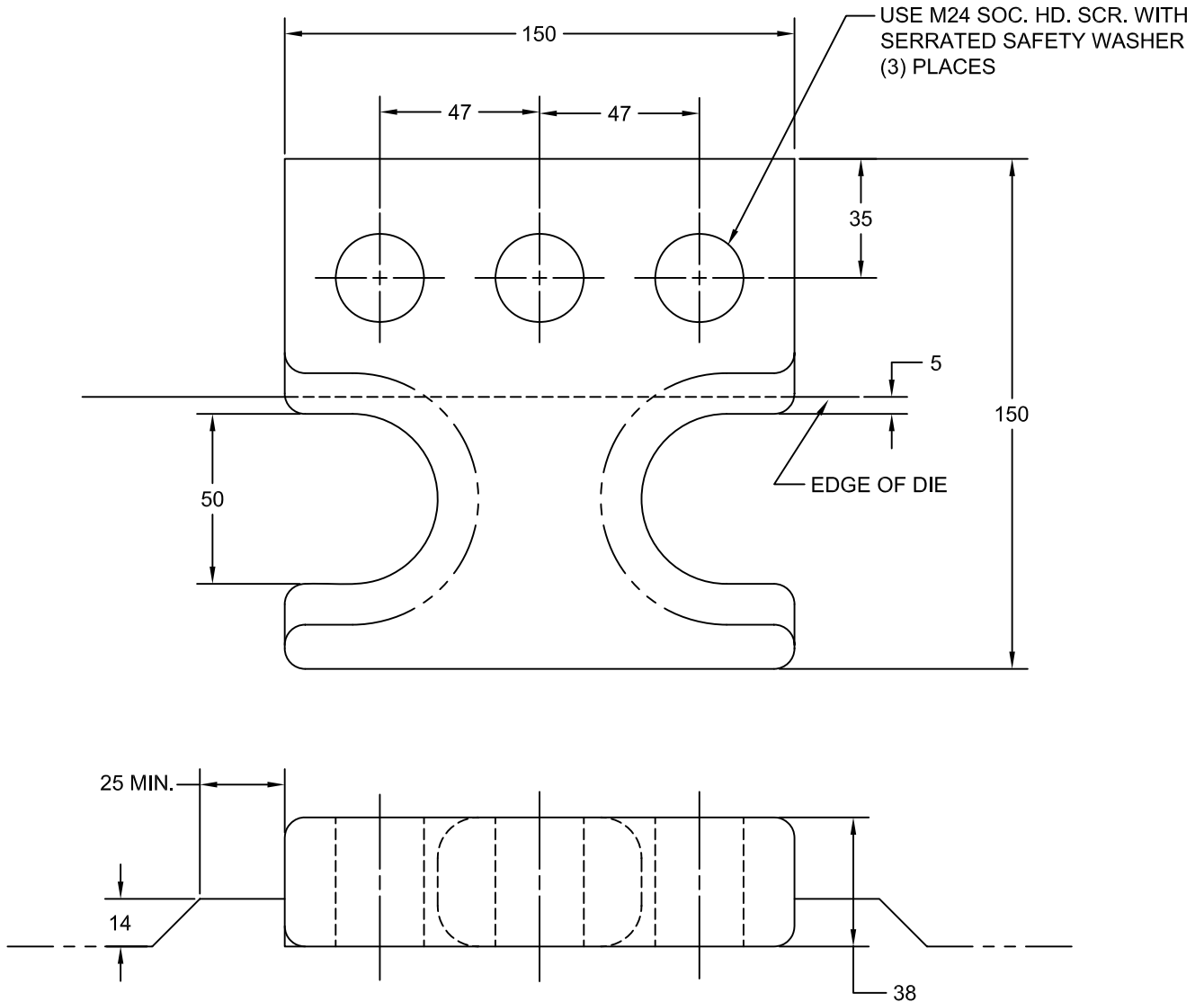


# JOLICO J-B TOOL

## BOLT ON LIFT BOLLARD "H" TYPE

PRINTED COPY IS UNCONTROLLED



**NOTE:**

TOTAL DIE WEIGHT MAXIMUM SAFE DIE HANDLING CAPACITY IS BASED ON A THREE POINT STRAIGHT LIFT, WHICH INCLUDES A TWO POINT SAFE LIFTING CAPACITY FOR DIE TURNOVER. THE TOTAL DIE WEIGHT INCLUDES THE TOTAL UPPER AND LOWER DIE WEIGHT TOGETHER BASED ON THAT ALL UPPER AND LOWER DIE LIFT BOLLARDS ARE THE SAME SIZE ON THE DIE.

IT IS RECOMMEND THAT THE BOLT ON "H" TYPE LIFT BOLLARD BE MOUNTED IN A 14 mm DEEP POCKET AND THE FRONT OF THE BOLLARD OVERHANG BY 5 mm AS SHOWN ABOVE.

JOLICO NUMBER	J - 881027
FORD PART NUMBER	WDX22 - 80 - 1224
TOTAL DIE WEIGHT	7.2 METRIC TONS
	8 US TONS