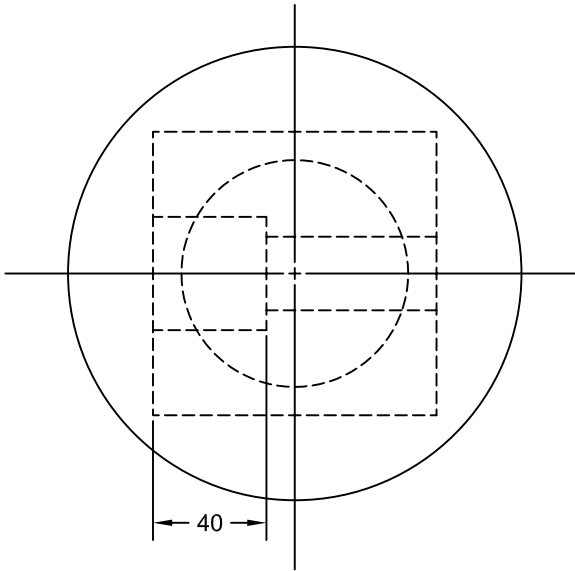


# JOLICO J-B TOOL

PRINTED COPY IS  
UNCONTROLLED

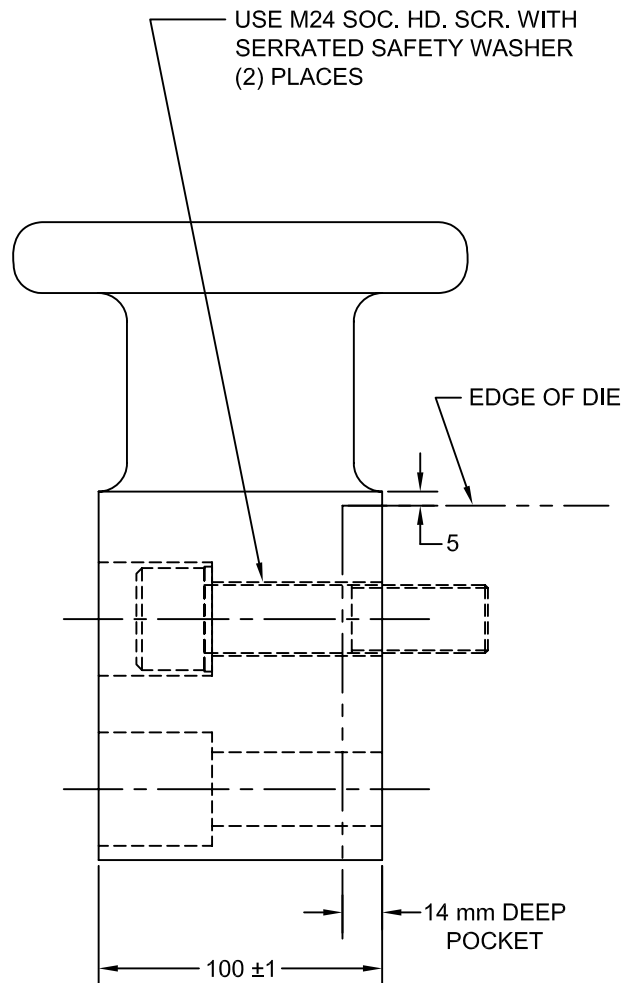
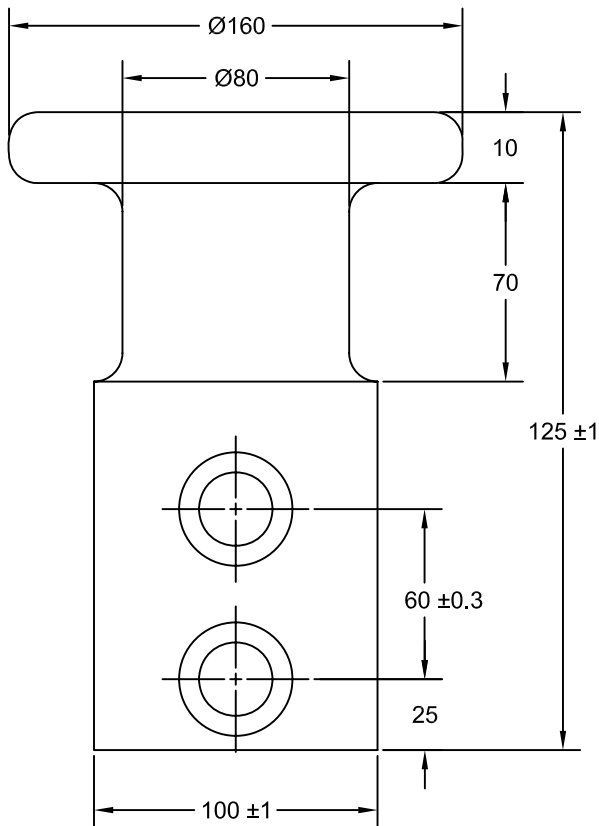
## BOLT ON LIFT BOLLARD



**NOTE:**

TOTAL DIE WEIGHT MAXIMUM SAFE DIE HANDLING CAPACITY IS BASED ON A THREE POINT STRAIGHT LIFT, WHICH INCLUDES A TWO POINT SAFE LIFTING CAPACITY FOR DIE TURNOVER. THE TOTAL DIE WEIGHT INCLUDES THE TOTAL UPPER AND LOWER DIE WEIGHT TOGETHER BASED ON THAT ALL UPPER AND LOWER DIE LIFT BOLLARDS ARE THE SAME SIZE ON THE DIE.

IT IS RECOMMEND THAT THE BOLT ON LIFT BOLLARD BE MOUNTED IN A 14 mm DEEP POCKET AND THE FRONT OF THE BOLLARD OVERHANG BY 5 mm AS SHOWN BELOW.



JOLICO NUMBER	J - 881045
FORD PART NUMBER	WDX22-80-11160
TOTAL DIE WEIGHT	5 METRIC TONS
	5.5 US TONS