

JOLICO J-B TOOL

PRINTED COPY IS UNCONTROLLED

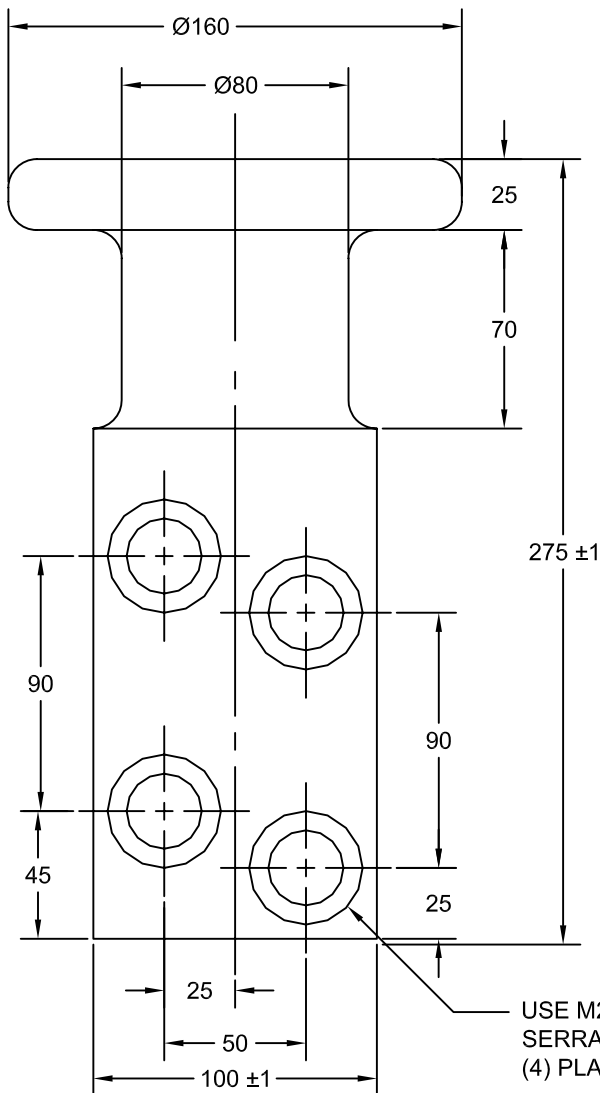
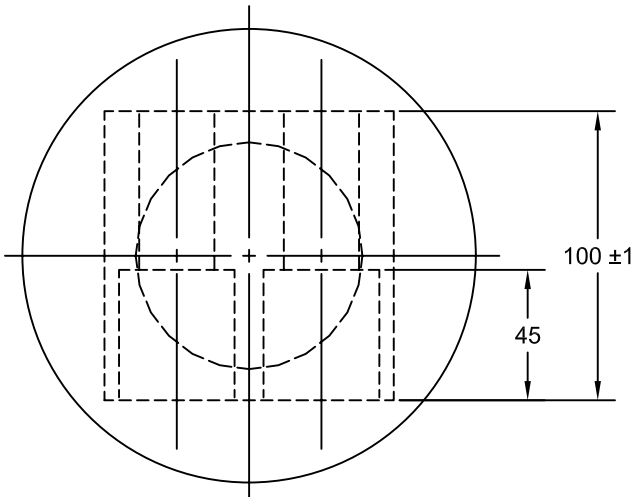
BOLT ON LIFT BOLLARDS

NOTE:

TOTAL DIE WEIGHT MAXIMUM SAFE DIE HANDLING CAPACITY IS BASED ON A THREE POINT STRAIGHT LIFT, WHICH INCLUDES A TWO POINT SAFE LIFTING CAPACITY FOR DIE TURNOVER.

THE TOTAL DIE WEIGHT INCLUDES THE TOTAL UPPER AND LOWER DIE WEIGHT TOGETHER BASED ON THAT ALL UPPER AND LOWER DIE LIFT BOLLARDS ARE THE SAME SIZE ON THE DIE.

IT IS RECOMMEND THAT THE BOLT ON LIFT BOLLARD BE MOUNTED IN A 14 mm DEEP POCKET AND THE FRONT OF THE BOLLARD OVERHANG BY 5 mm AS SHOWN BELOW.



USE M24 SOC. HD. SCR. WITH SERRATED SAFETY WASHER (4) PLACES

JOLICO NUMBER	J-881051
FORD PART NUMBER	WDX22-80-14160
TOTAL DIE WEIGHT	9 METRIC TONS
	10 US TONS

