

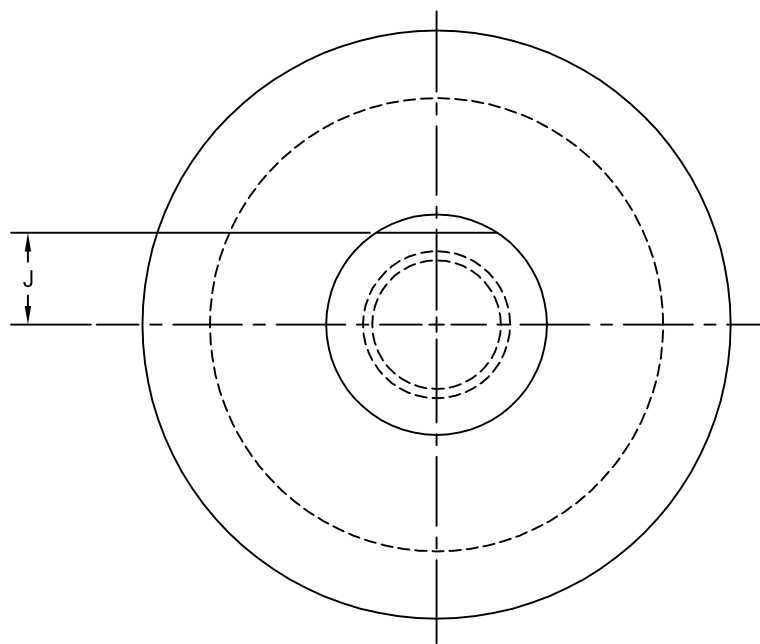
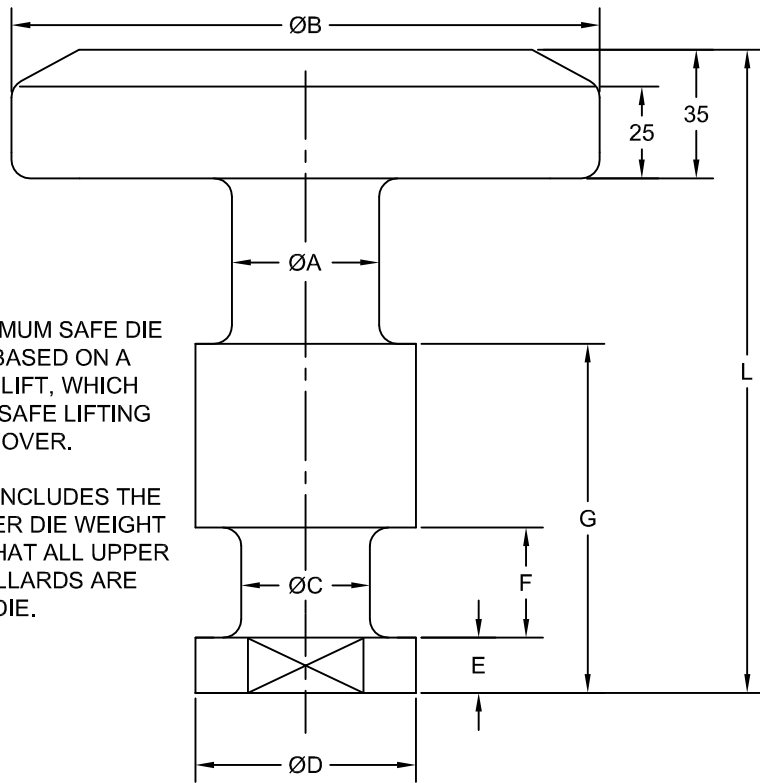
JOLICO J-B TOOL

CAST IN PLACE STEEL LIFT BOLLARD

PRINTED COPY IS
UNCONTROLLED

NOTE:
TOTAL DIE WEIGHT MAXIMUM SAFE DIE HANDLING CAPACITY IS BASED ON A THREE POINT STRAIGHT LIFT, WHICH INCLUDES A TWO POINT SAFE LIFTING CAPACITY FOR DIE TURNOVER.

THE TOTAL DIE WEIGHT INCLUDES THE TOTAL UPPER AND LOWER DIE WEIGHT TOGETHER BASED ON THAT ALL UPPER AND LOWER DIE LIFT BOLLARDS ARE THE SAME SIZE ON THE DIE.



JOLICO NUMBER	FORD PART NUMBER	Ø A	Ø B	Ø C	Ø D	E	F	G	J	L	TOTAL DIE WEIGHT IN TONS	
											U.S. TONS	METRIC TONS
J - 881042	WDX22 - 80 - 1340150	40	158	30	60	15	30	95	25	175	0 TO 5	0 TO 4.5
J - 881043	WDX22 - 80 - 1350170	50	170	40	70	20	35	105	28	195	OVER 5 TO 8	OVER 4.5 TO 7
J - 881044	WDX22 - 80 - 1380200	80	200	70	100	20	40	135	35	235	OVER 8 TO 20	OVER 7 TO 18