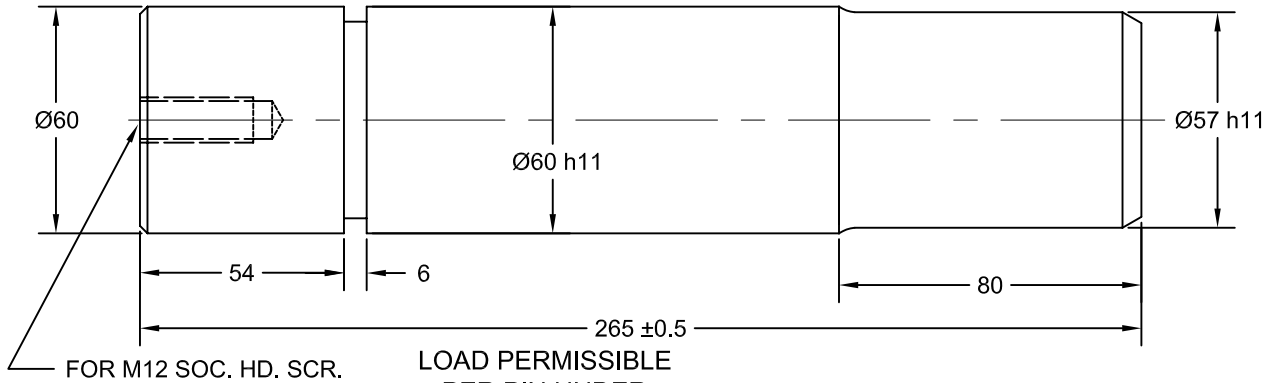


# JOLICO J-B TOOL

PRINTED COPY IS UNCONTROLLED

## DOUBLE ACTION DRAW DIE LOCK PIN ASSEMBLY

USE FOR TURNING OVER DOUBLE ACTION UPPER DRAW DIE

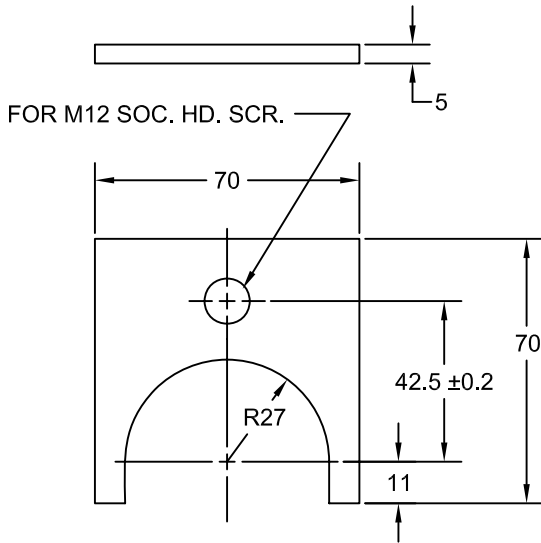


FOR M12 SOC. HD. SCR.

LOAD PERMISSIBLE  
PER PIN UNDER  
STATIC LOAD  
15000 Kg

### TURNING DIE PIN

JOLICO NUMBER	FORD GLOBAL PART NUMBER
J - 661869	WDX22 - 60 - 12265



FOR M12 SOC. HD. SCR.

### RETAINER PLATE

JOLICO NUMBER	FORD GLOBAL PART NUMBER
J - 661965	WDX22 - 60 - 1201

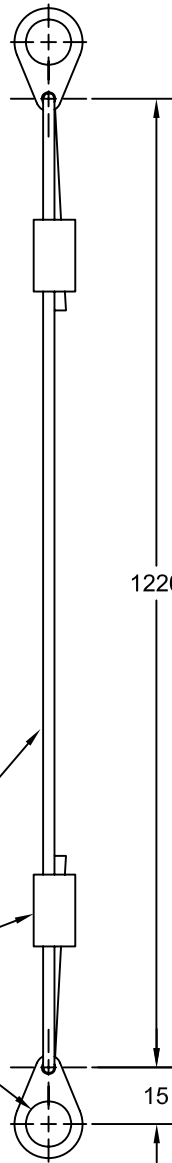
CABLE SIZE: Ø3mm

LOCOLOC SLEEVE

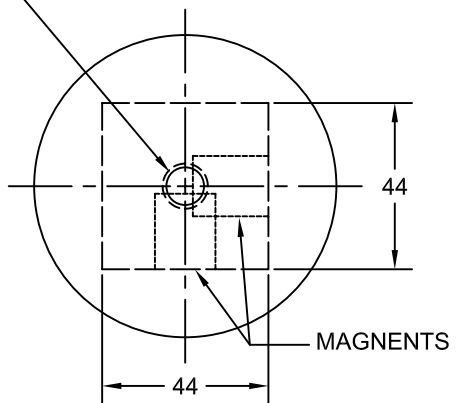
FOR M12 SOC. HD. SCR.

### SAFETY CABLE

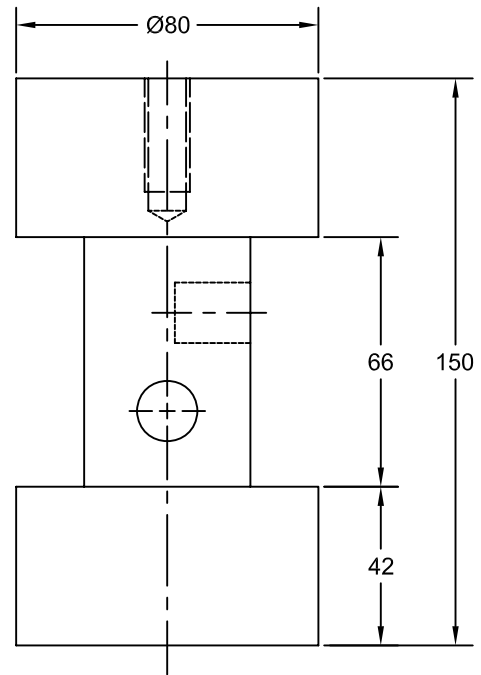
JOLICO NUMBER
J - 20174



FOR M12 SOC. HD. SCR.



MAGNETS



### SAFETY INDICATOR

JOLICO NUMBER	FORD GLOBAL PART NUMBER
J - 881600	WDX22 - 60 - 13066