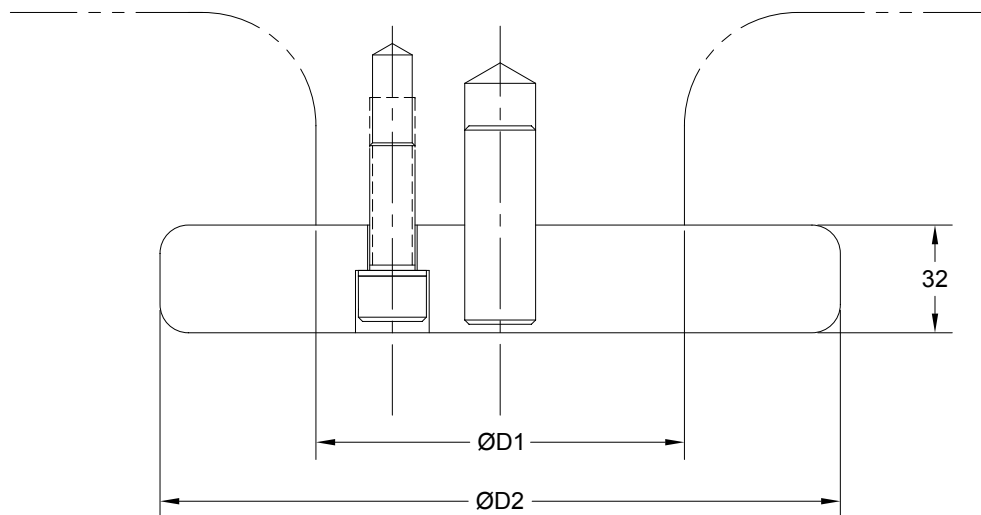
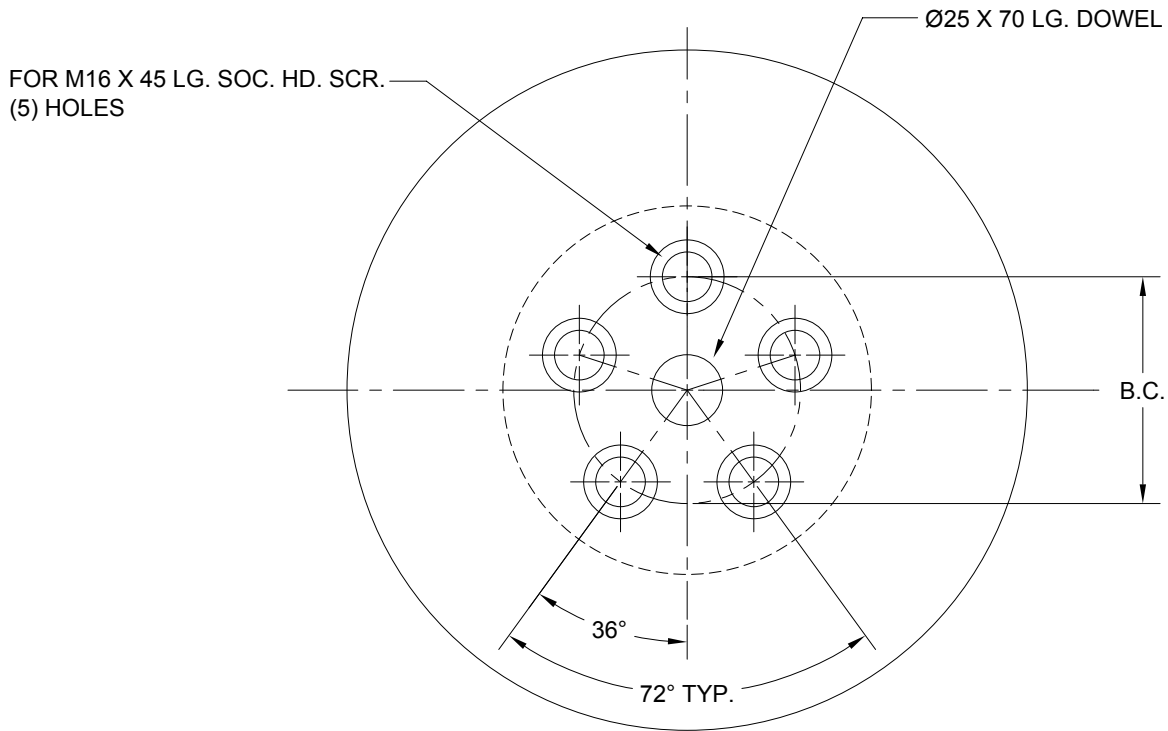


JOLICO J-B TOOL

PRINTED COPY IS UNCONTROLLED

CAST BOLLARD BOLT ON FLANGE PLATE



NOTE:
FOR CAST BOLLARD FLANGE REPAIR IT IS RECOMMEND TO TACK WELD SCREWS HEADS AFTER ASSEMBLY. GAP BETWEEN SCREW AND SCREW HOLES TO BE COMPLETELY FILLED WITH STEEL FILLED EPOXY (DEVCON #10110) OR EQUIVALENT.

JOLICO NUMBER	ØD1	ØD2	B. C.
J - 881035	110	203	70
J - 881036	130	241	80
J - 881037	160	279	110
J - 881038	200	311	150