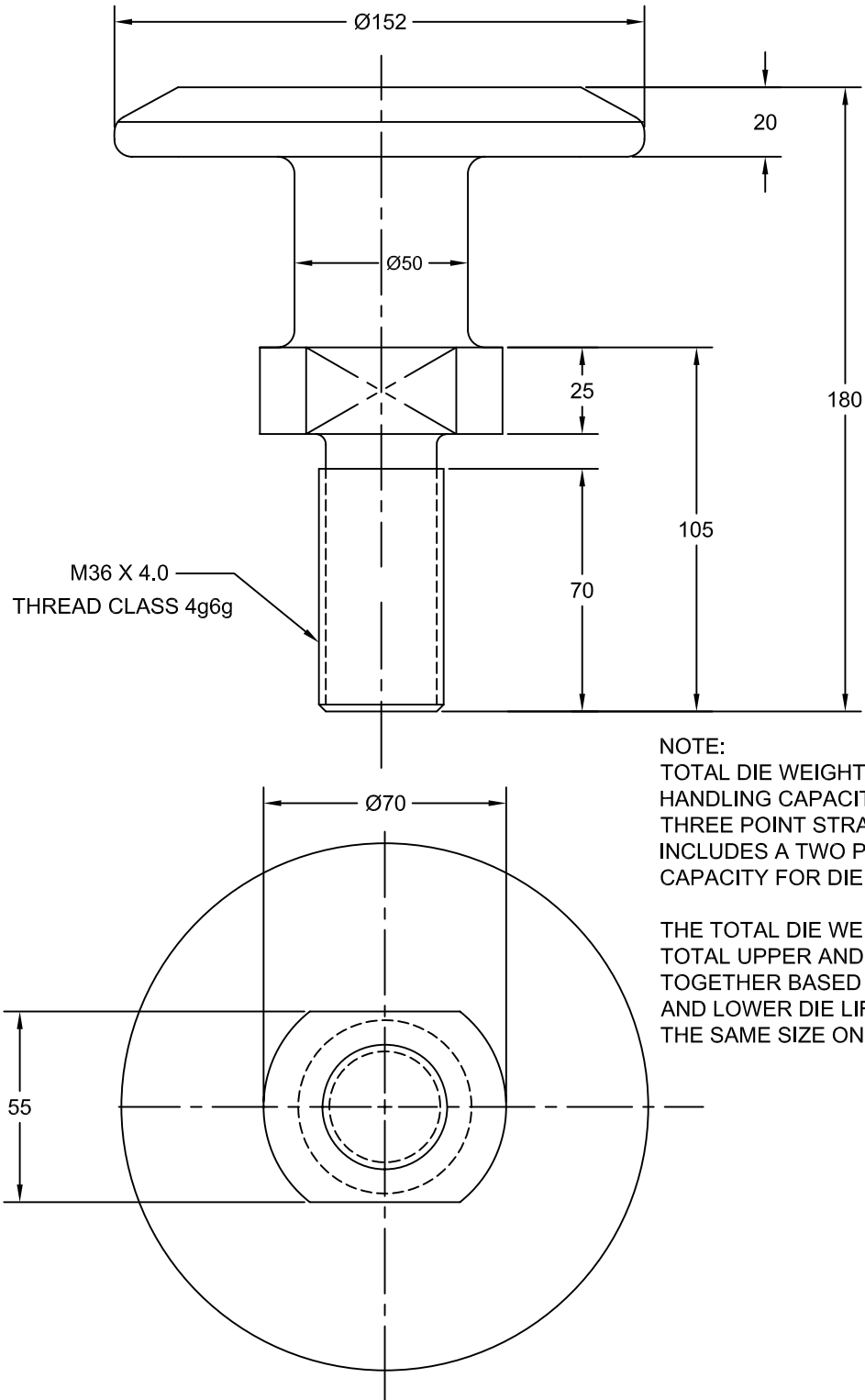


JOLICO J-B TOOL

PRINTED COPY IS UNCONTROLLED

THREADED LIFT BOLLARD



NOTE:
TOTAL DIE WEIGHT MAXIMUM SAFE DIE HANDLING CAPACITY IS BASED ON A THREE POINT STRAIGHT LIFT, WHICH INCLUDES A TWO POINT SAFE LIFTING CAPACITY FOR DIE TURNOVER.

THE TOTAL DIE WEIGHT INCLUDES THE TOTAL UPPER AND LOWER DIE WEIGHT TOGETHER BASED ON THAT ALL UPPER AND LOWER DIE LIFT BOLLARDS ARE THE SAME SIZE ON THE DIE.

NOTE:
IT IS IMPORTANT TO USE LOCK TIGHT AND TACK WELD OR BRAZE THE THREADED LIFT BOLLARD IN PLACE TO PREVENT BOLLARD FROM UNSCREWING OUT.

JOLICO NUMBER	FORD PART NUMBER	TOTAL DIE WEIGHT IN (TONS)	
J - 881041	WDX22 - 90 - 0736	0 TO 8 U. S. TONS	0 TO 7 METRIC TONS