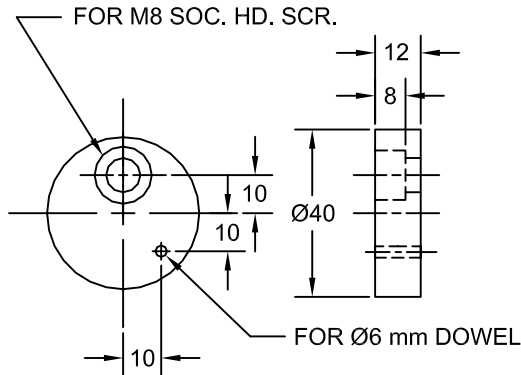


JOLICO J-B TOOL

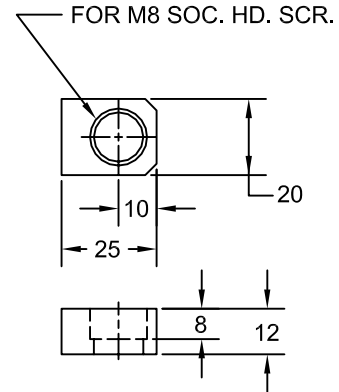
PRINTED COPY IS UNCONTROLLED

BOTTOMING MARKER DETAILS



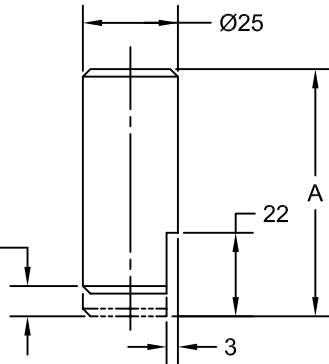
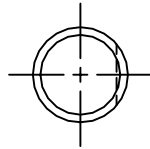
BACKING PLATE

JOLICO NUMBER	FORD PART NUMBER
J - 999201	WDX20 - 80 - 3101



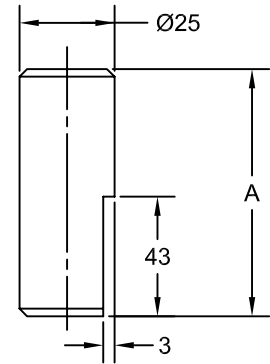
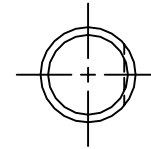
RETAINER PLATE

JOLICO NUMBER	FORD PART NUMBER
J - 661976	WDX20 - 80 - 3202



FILLER TRANSFER PIN

JOLICO NUMBER	FORD PART NUMBER
J - 661975	WDX20 - 80 - 3201



FILLER TRANSFER PIN

JOLICO NUMBER	FORD PART NUMBER
J - 661978	WDX20 - 80 - 3203

ORDERING EXAMPLE

J - 661975 - A 256

PIN LENGTH