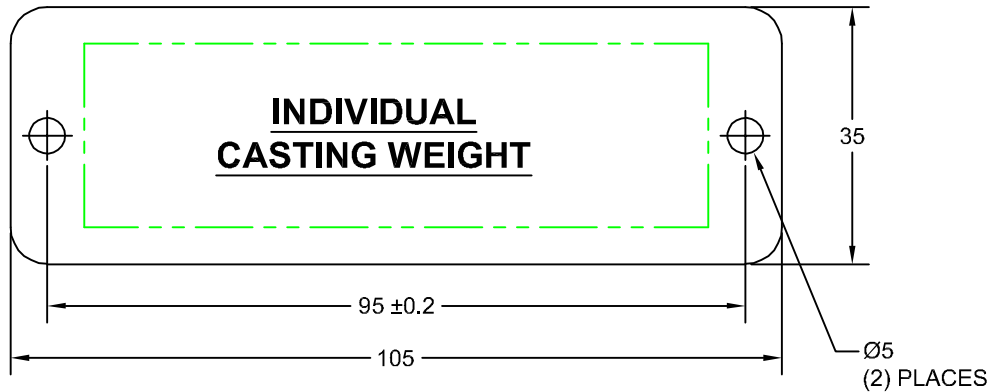


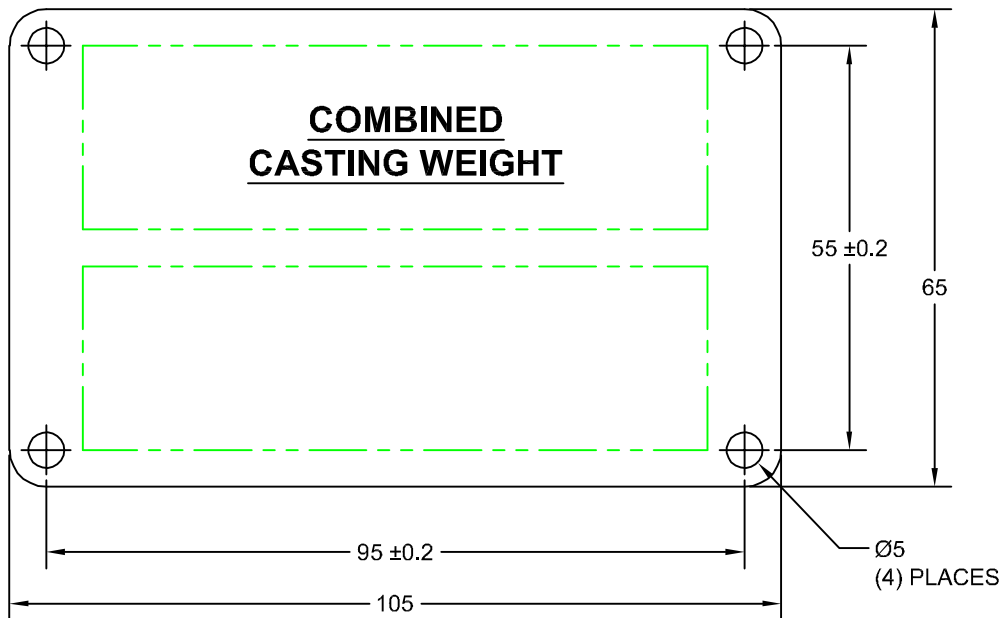
JOLICO J-B TOOL

DIE WEIGHT IDENTIFICATION PLATES

PRINTED COPY IS
UNCONTROLLED



JOLICO NUMBER	FORD PART NUMBER	DIE WEIGHT PLATE TYPE
J - 114163	WDX20 - 60 - 2001	TONS METRIC
J - 114164	WDX20 - 60 - 2002	TONS U.S.



JOLICO NUMBER	FORD PART NUMBER	DIE WEIGHT PLATE TYPE
J - 114165	WDX20 - 60 - 2003	TONS METRIC
J - 114166	WDX20 - 60 - 2004	TONS U.S.

INFORMATION PLATE FOR INFORMATION ON PLATE SPECIFICATIONS SEE FORD MOTOR COMPANY DIE STANDARDS WDX22-06M PAGE 4.