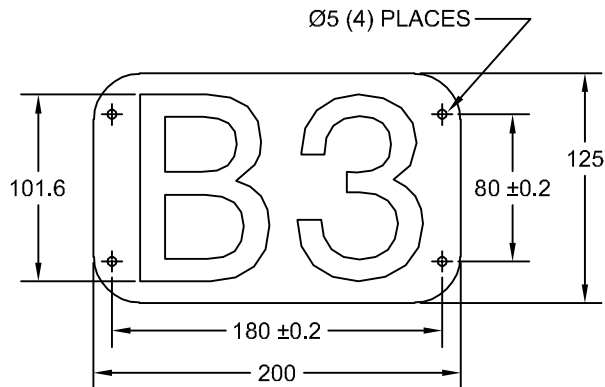


JOLICO J-B TOOL

IDENTIFICATION PLATE

PRINTED COPY IS
UNCONTROLLED



LIFT LUG POSITION CODE PLATE

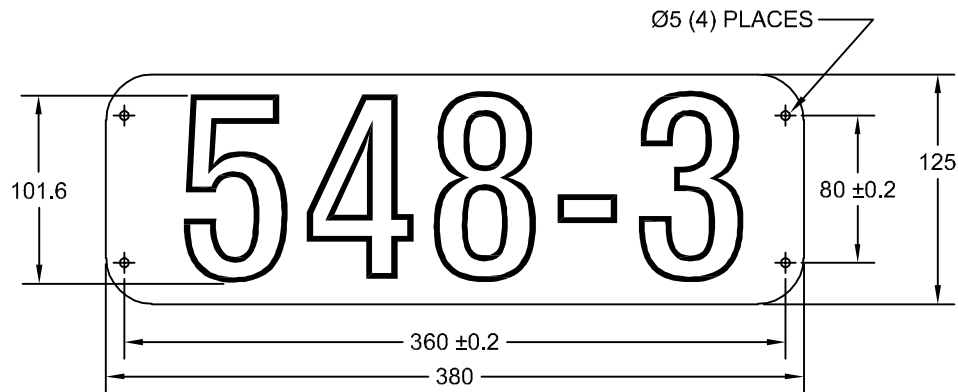
JOLICO NUMBER	FORD PART NUMBER
J - 114219	WDX20 - 80 - 200125

LIFT LUG POSITION CODES		
A1	A2	A3
B1	B2	B3
C1	C2	C3
D1	D2	D3

ORDERING EXAMPLE

J-114219 - B3

└ LIFT LUG POSITION CODE



STAMPING PLANT JOB NUMBER PLATE

JOLICO NUMBER	FORD PART NUMBER
J - 114220	WDX20 - 80 - 20380125

ORDERING EXAMPLE

J-114220 - 548-3

└ STAMPING PLANT JOB NUMBER
(NOTE STAMPING PLANT TO PROVIDE JOB NUMBER)

IDENTIFICATION PLATE FOR INFORMATION ON PLATE SPECIFICATIONS
SEE FORD MOTOR COMPANY DIE STANDARDS WDX22-06M PAGE 4.